



Flextool

SERVICE SHEET NO. F03635

ISSUE 240608

PORTAPUMP

MODEL PP32

(HONDA GX35 4-STROKE)

Part No.

F03600



PumpBiz, Inc
www.pumpbiz.com
800-PumpBiz (786-7249)
World & USA Patents or
pending Patents.



Flextool

SERVICE SHEET F03635 ISSUE 240608

PORTA-PUMP
MODEL PP32

PART NO.
F03600

ITEM NO.	PART NO.	DESCRIPTION	QUANTITY
1	F03318	Motor, Honda GX35	1
2	F03642	Drive Shaft & Throttle Assy	1
3	F03643	Coupling Assy	1
4	F03634	Pump & Shaft Assy, PortaPump	1
4.1	F03603	Casing Assy, PortaPump	1
4.2	F03602	Core, dia. 8mm x 880mm Long	1
4.3	F03605	Pump Head Assy, PortaPump	1
5	F03628	Hose Assy, 2000mm Long, PortaPump	1



Flextool

SERVICE SHEET NO. F03635 ISSUE 240608

PORTAPUMP

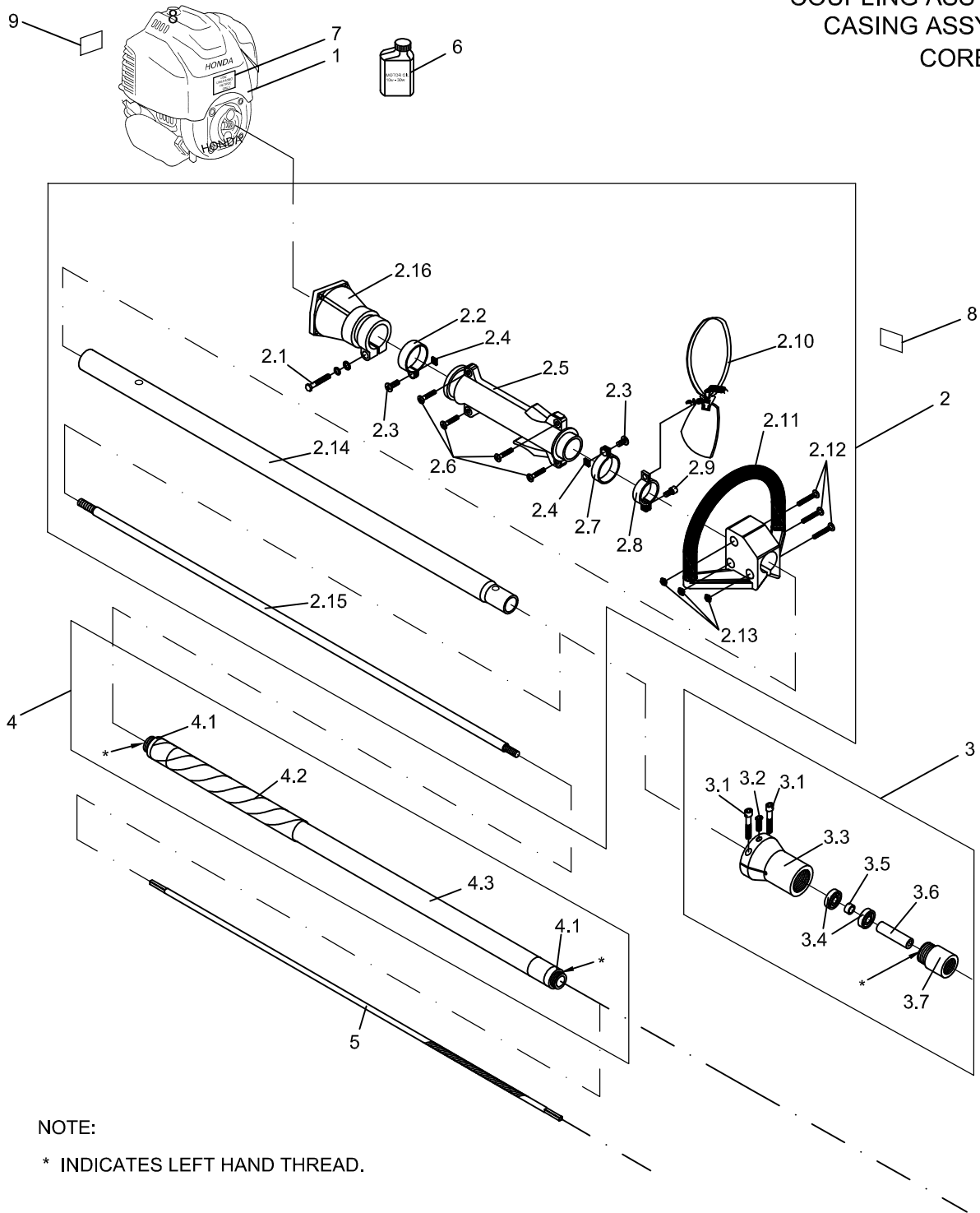
MODEL PP32

(HONDA GX35 4-STROKE PETROL)

Part No.

F03600

MOTOR
DRIVE SHAFT & THROTTLE ASSY
COUPLING ASSY
CASING ASSY
CORE



PumpBiz, Inc
www.pumpbiz.com
 800-PumpBiz (786-7249)



Flextool

SERVICE SHEET F03635 ISSUE 240608

PORTA-PUMP
MODEL PP32

PART NO.
F03600

ITEM NO.	PART NO.	DESCRIPTION	QUANTITY
1	F03318	Motor, Honda GX35	1
2	F03642	Drive Shaft & Throttle Assy	1
2.1	F03016	Bolt, Hex M6 X 28	1
2.2	F03017	Clamp 43mm Dia.	1
2.3	F03018	Screw, Round Head M6	2
2.4	F03019	Nut, Square M6	2
2.5	F03020	Throttle Handle Assy	1
2.6	F03021	Screw, Self Tapping 5/32" x 5/8"	4
2.7	F03022	Clamp, 33mm Dia.	1
2.8	F03023	Clamp, 26mm Dia.	1
2.9	F03024	Screw, Socket Head Cap	1
2.10	F03025	Shoulder Strap	1
2.11	F03026	Handle Assy	1
2.12	F03027	Screw, Round Head M5	3
2.13	F03028	Nut, Hex Nut M5	3
2.14	F03631	Drive Tube	1
2.15	F03334	Drive Shaft	1
2.16	N/A	Housing Adaptor	1
3	F03643	Coupling Assembly	1
3.1	F05876	Screw - Socket Head Cap 1/4" BSW.	2
3.2	F02986	Screw - Button Head Cap 1/4" BSW.	1
3.3	F03638	Coupling Housing	1
3.4	F01515	Bearing	2
3.5	F03281	Spacer	1
3.6	F03359	Seal Sleeve	1
3.7	F03639	Motor Adaptor	1
4	F03603	Casing Assy, PortaPump	1
4.1	F03604	Ferrule Assy, PortaPump	2
4.2	F04036	Outer Spring, 30mm x 318mm	1
4.3	F02695	Flex-hose	1
5	F03602	Core, 8mm Dia. X 880mm	1
6	F01433	Label, Use Unleaded Petrol Only	1
7	H1002-P08-001	Oil, 10W-30W Honda Litre Bottle	1
8	F03464	Decal, Safety	1
9	F03633	Label, PortaPump (Starter Recoil GX35)	1



Flextool

SERVICE SHEET NO. F03635

ISSUE 240608

PORTAPUMP

MODEL PP32

(HONDA GX35 4-STROKE PETROL)

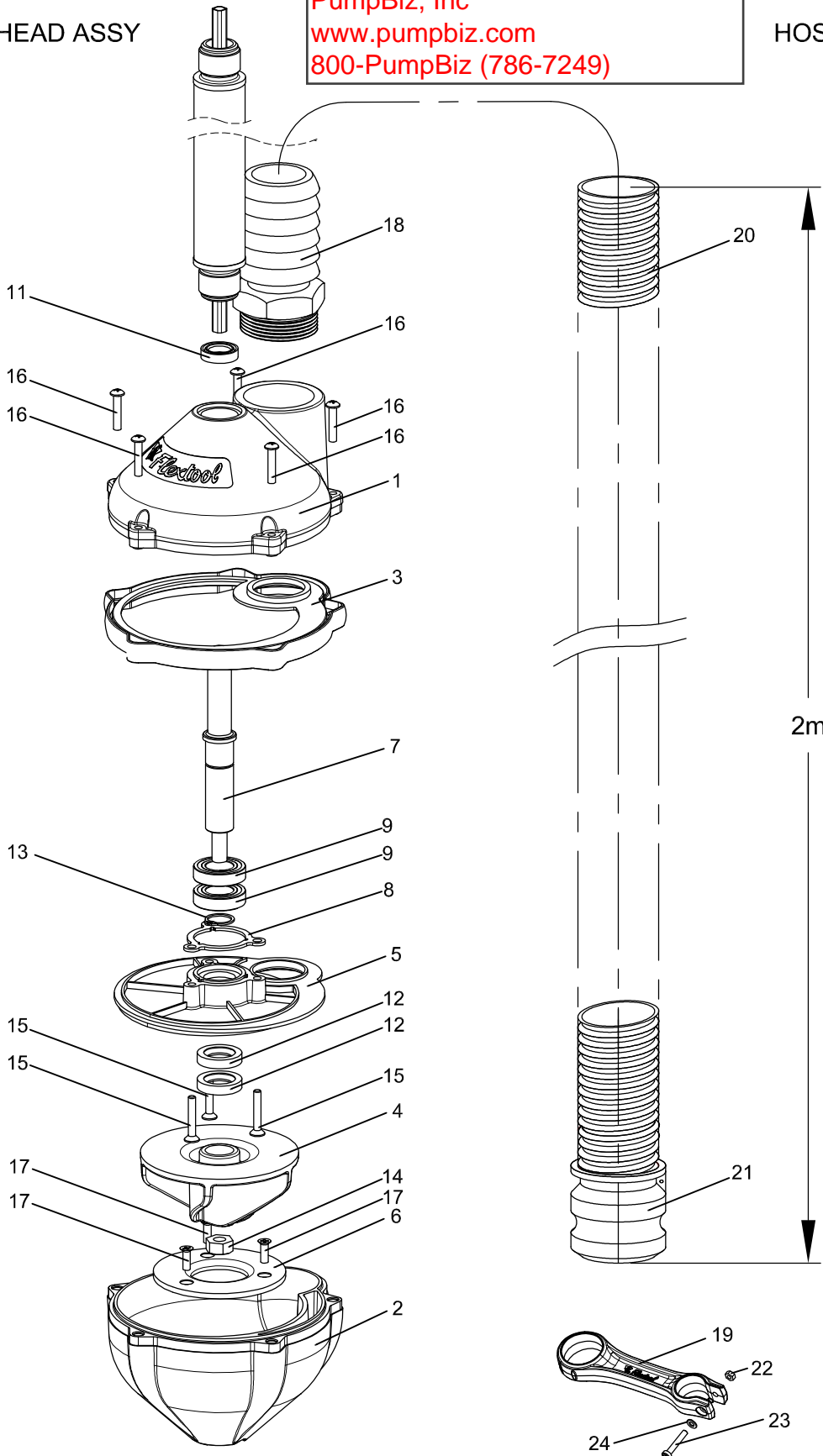
Part No.

F03600

PUMP HEAD ASSY

PumpBiz, Inc
www.pumpbiz.com
800-PumpBiz (786-7249)

HOSE ASSY





Flextool

SERVICE SHEET F03635 ISSUE 240608

PORTA-PUMP
MODEL PP32

PART NO.
F03600

ITEM NO.	PART NO.	DESCRIPTION	QUANTITY
	F03605	Pump Head Assy, PortaPump	1
1	F03606	Manifold FLE146-401	1
2	F03607	Volute FLE146-402	2
3	F03608	Gasket FLE146-403	1
4	F03609	Impeller FLE146-404	1
5	F03611	Wear Plate FLE146-405	1
6	F03612	Strainer Plate FLE146-406	1
7	F03601	Drive Shaft, PortaPump	1
8	F03614	Gasket FLE146-408	1
9	F03615	Ball Bearing, 15 X 28 Sealed	2
10	N/A	N/A	N/A
11	F03616	Seal, Dual Lip, 13 X 20 X 5	1
12	F03617	Seal, Dual Lip, 15 X 24 X 5	2
13	F03618	Circlip, External Dia. 14mm, D1400-0410	1
14	F03619	Nut, Hex M8, 304 Stainless Steel	1
15	F03623	CSK Head Screw PH M4 x 25, 304 SS	3
16	F03622	Pan HD Screw, M3.5 X 20, 304 Stainless	5
17	F03624	CSK HD Screw, PT4 x 12, 304 Stainless	3
	F03628	Hose Assy, 2m Long, PortaPump	1
18	F03630	Hose Tail, 1.25" BSP Male x 1.25" Male	1
19	F03613	Hose Clamp, FLE146-407	1
20	F03627	Hose, Discharge, Pump (Magflex)	1
21	F03626	Camlock Coupling, 1-1/4" Plastic, Male	1
22	F03632	Hex Nut, M5, 304 Stainless Steel	1
23	F03620	Socket Head Cap Screw, M5 x 30, 316SS	1
24	F03621	Plain Washer, M5, 304 Stainless Steel	1

PumpBiz, Inc
www.pumpbiz.com
 800-PumpBiz (786-7249)



Flextool

SERVICE SHEET NO. F03635 ISSUE 240608

PORTAPUMP

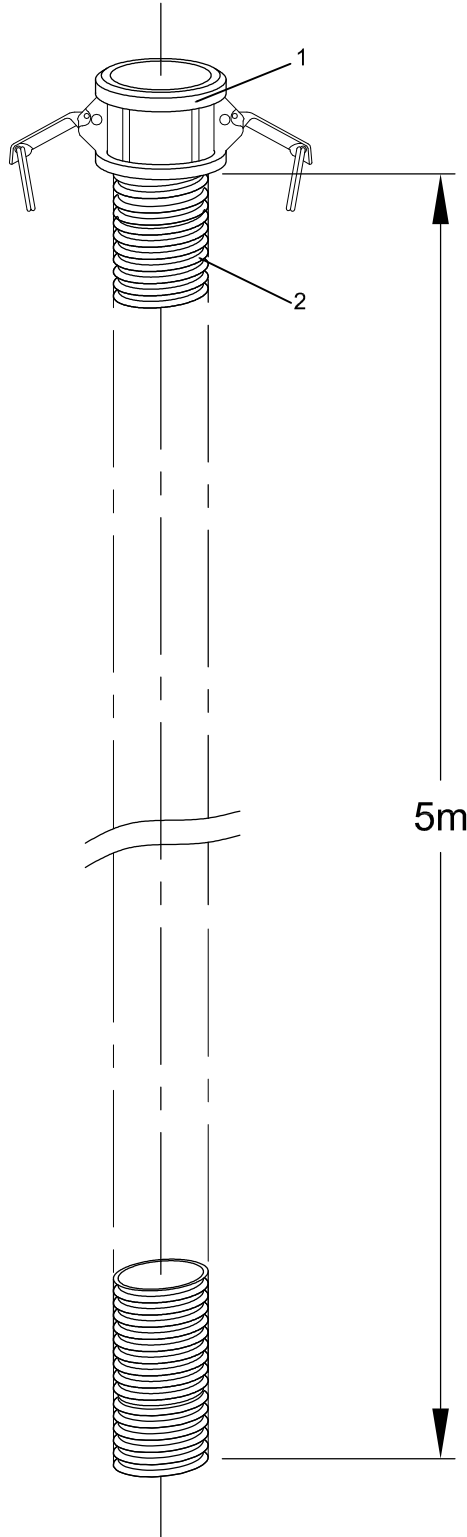
MODEL PP32

(HONDA GX35 4-STROKE PETROL)

Part No.

F03600

EXTENSION HOSE ASSY





Flextool

SERVICE SHEET F03635 ISSUE 240608

PORTA-PUMP
MODEL PP32

PART NO.
F03600

ITEM NO.	PART NO.	DESCRIPTION	QUANTITY
	F03637	Extension Hose Assy	1
1	F03625	Camlock Coupling, 1-1/4" Plastic, Female	1
2	F03647	Extension Hose, PortaPump, 5m Long	1