

# ***GENERAL PURPOSE ENGINE***

**GX25NT**

**PARTS CATALOGUE**

**1**



GX25NT

---

FOREWORD INDEX

**1**

---

ENGINE GROUP

**2**

---

PART NUMBER INDEX

**3**

---

PART NAME INDEX

**4**

---



**Instruction for use of parts catalogue**

- **This parts catalogue was prepared based on the latest information available as of October 01, 2005.**
- See the parts catalogue news for any revision that is made after October 01, 2005.
- **Always specify the part number when ordering a part.**
  - Check the model, type, serial numbers, color, maker, and the size as needed before ordering a part.
  - Note that the illustrations (part drawings) can differ from the actual parts in shape. They are given just to help you to refer to the parts.
- **When modifications or additions to this parts catalogue are made, a revised edition will be issued at an appropriate time, with successively progressing revision numbers on the cover. We recommend obtaining such revisions in order to keep your parts catalogue up-to-date at all times. To check whether a parts catalogue revision has been issued, please contact your Honda distributor.**

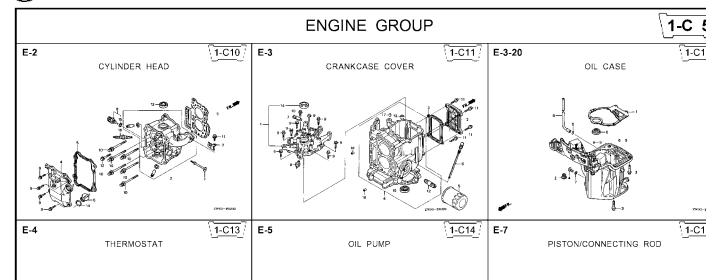
Initial version issue date **October 01, 2005**  
**Honda Motor Co., Ltd.**

**CONTENTS**

	Page	Address No.	
● Instruction for use of parts catalogue .....	1	B 1	<b>1</b>
● How to refer to the part information .....	2	B 2	
● Part catalogue structure .....	3	B 3	
● When the parts were revised .....	4	B 4	
● Abbreviations used in the parts catalogue .....	4	B 4	
● How to check the part block and serial numbers .....	5	B 5	
● Models, parts catalogue codes and applicable serial numbers .....	6	B 6	
● Features of each type .....	6	B 6	
● Fuel hose, general purpose hoses and vinyl hose .....	7	B 7	
● FLAT RATE SERVICE TIME .....	8	B 8	
● Illustrated index .....	13	B13	
● ENGINE GROUP .....	15	C 1	<b>2</b>
● PART NO. INDEX .....	32	E 1	<b>3</b>
● PART NAME INDEX .....	33	F 1	<b>4</b>

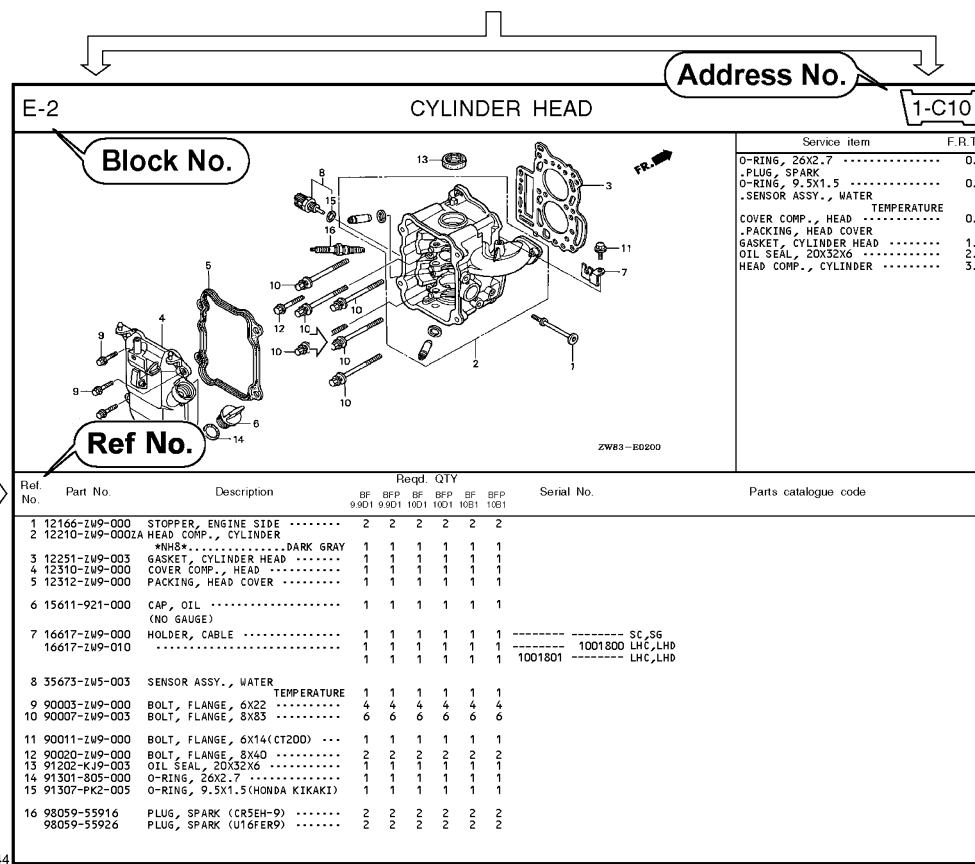
How to refer to the part information

A Reference with "Illustrated index"



B Reference with "Part number index"

PART NO. INDEX					
Part Number	Address	Page	Rel.	Part Number	Address Page
06000				15212-ZW9-000	1-C14 3C
06316-ZW9-000	1-69	88	1	15220-ZW9-003	1-C14 3C
11000				15332-ZW9-000	1-E8 55
11300-ZW9-405	1-C11	27	1	15352-ZW9-A30	1-E11 5E
11300-ZW9-406	1-C11	27	1	15400-PFB-004	1-C11 27
11340-ZW9-000	1-C11	27	2	15422-ZW9-000	1-C14 3C
11342-ZW9-000	1-C11	27	3	15473-881-000	1-C14 3C
11381-ZW9-003	1-C12	28	1	15474-ZW9-000	1-C14 3C
				15611-921-000	1-C10 2E
				15655-ZW9-000	1-C11 27
				16000	
12000				16010-ZV4-005	1-D4 3E
12000-ZW9-405ZA	1-C11	27	4	16011-ZV4-005	1-D4 3E
12155-ZV4-A00	1-C13	29	1	16013-ZW9-003	1-D4 3E
12166-ZW9-000	1-C10	26	1	16016-ZW9-003	1-D4 3E
12209-GB4-681	1-C16	32	1	16016-ZW9-721	1-D4 3E
12210-ZW9-405ZA	1-C10	26	2	16023-ZW9-003	1-D4 3E
12216-ZE2-300	1-E8	55	1	16024-ZV4-650	1-D4 3E
	1-E11	58	1	16028-ZV4-650	1-D4 3E



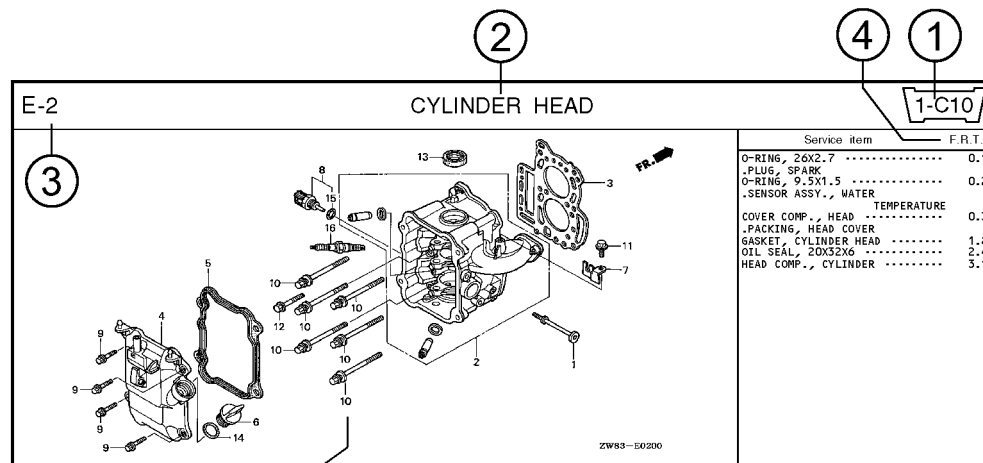
C Reference with "Part name index"

PART NAME INDEX					
Part name	Address	Page	Ref.		
[ A ]				BOLT,	
ABSORBER , FUEL	1-E15	62	5	BOLT,	
ARMATURE COMP.	1-D11	43	7	BOLT,	
ARM COMP. , LINK JOINT	1-G6	85	18	BOLT,	
ARM COMP. , SHIFT LINK	1-G6	85	14	BOLT,	
ARM COMP. , TILT	1-F15	79	20		
ARM , FUEL PUMP ROCKER	1-C16	32	4		
ARM , REVERSE LOCK	1-F15	79	18		
ARM , SHIFT LINK	1-F11	74	7		
ARM , STOPPER	1-D1	33	12	BOLT,	
ARM , THROTTLE REMOTE	1-F11	74	6		
ARM , VALVE ROCKER	1-C16	32	3		
[ B ]					
BAG , TOOL , 160MM	1-G5	84	10		
BAND	1-G6	86	37		
BAND B1 , WIRE	1-F6	69	1		
BAND , CORD	1-F3	67	18	BOLT,	
BAND , TUBE CLIP , 11MM	1-E15	63	20		
BAND , TUBE CLIP , 12.5MM	1-E15	63	19	BOLT,	

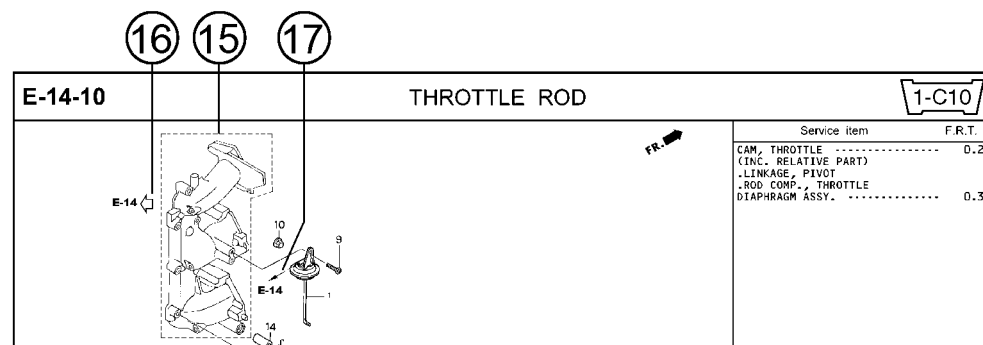
Page No.

2000.09.20 E

Part catalogue structure



Ref. No.	Part No.	Description	Reqd. QTY						Serial No.	Parts catalogue code
			BF 9/901	BFP 9/901	BF 1001	BFP 1001	BF 1081	BFP 1081		
1	12166-zw9-000	STOPPER, ENGINE SIDE	2	2	2	2	2	2		
2	12210-zw9-000ZA	HEAD COMP., CYLINDER *NH8*	1	1	1	1	1	1		
3	12251-zw9-003	GASKET, CYLINDER HEAD	1	1	1	1	1	1		
4	12310-zw9-000	COVER COMP., HEAD	1	1	1	1	1	1		
5	12312-zw9-000	PACKING, HEAD COVER	1	1	1	1	1	1		
6	15611-921-000	CAP, OIL (NO GAUGE)	1	1	1	1	1	1		
7	16617-zw9-000	HOLDER, CABLE	1	1	1	1	1	1	SC,S6	
	16617-zw9-010		1	1	1	1	1	1	1001800 LHC,LHD	



① Address number

- Address No. is provided (in place of the page No.) to help you refer to the part with the part No. or part name.

② Block title ③ Block number

④ Service item/Flat rate time

⑤ Reference number

- Title number marked with the parenthesis or parentheses indicates that it continues from the previous page.

⑥ Part number ⑦ Honda color code

⑧ Description

⑨ Assemblies

- Sections framed with broken lines in the exploded view drawings are available as complete assemblies. (Their individual parts can also be obtained.)

⑩ Color description

⑪ Note

- Notes are shown with the parentheses in the part name column.

⑫ Required quantity

- Required QTY shown in the parenthesis or parentheses indicates the optional part.
- Required QTY marked with "N" Indicates the optional part that should be selected as needed.
- Required QTY indicates the number of the part used in the block.

⑬ Serial number

⑭ Type

- When the type column is blank, it indicates that the part is applicable to all types.
- As the type of the actual unit may differ from the "parts catalogue, type" please refer to "Models, types and applicable serial numbers" for confirmation.

⑮

- Parts enclosed within a dotted line are covered in a different block.

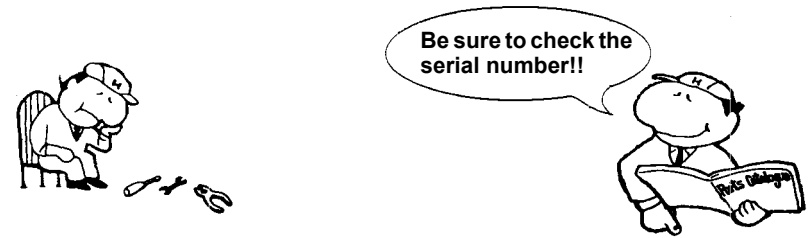
⑯

- A hollow arrow indicates the block No. for the parts enclosed within a dotted line .

⑰

- A solid arrow indicates the block No. the part in question is connected to.

**When the parts were revised**



Ref. No.	Part No.	Description	Reqd. QTY						Serial No.
			BF 99D1	BFP 9.9D1	BF 10D1	BFP 10D1	BF 10B1	BFP 10B1	
1	12166-ZW9-000	STOPPER, ENGINE SIDE .....	2	2	2	2	2	2	
2	12210-ZW9-000ZA	HEAD COMP., CYLINDER *NH8*.....DARK GRAY	1	1	1	1	1	1	
3	12251-ZW9-003	GASKET, CYLINDER HEAD .....	1	1	1	1	1	1	
4	12310-ZW9-000	COVER COMP., HEAD .....	1	1	1	1	1	1	
5	12312-ZW9-000	PACKING, HEAD COVER .....	1	1	1	1	1	1	
6	15611-921-000	CAP, OIL (NO GAUGE) .....	1	1	1	1	1	1	
7	16617-ZW9-000	HOLDER, CABLE (###).....	1	1	1	1	1	1	SC, SG 1001800 LHC, LHD 1001801 LHC, LHD
	16617-ZW9-010	.....	1	1	1	1	1	1	

The number has been used from the initial model without revision. When shown at the left side, it is applicable to the models of No.1001801 and the subsequent numbers. When shown at the right side, it is applicable to the models up to No.1001800.

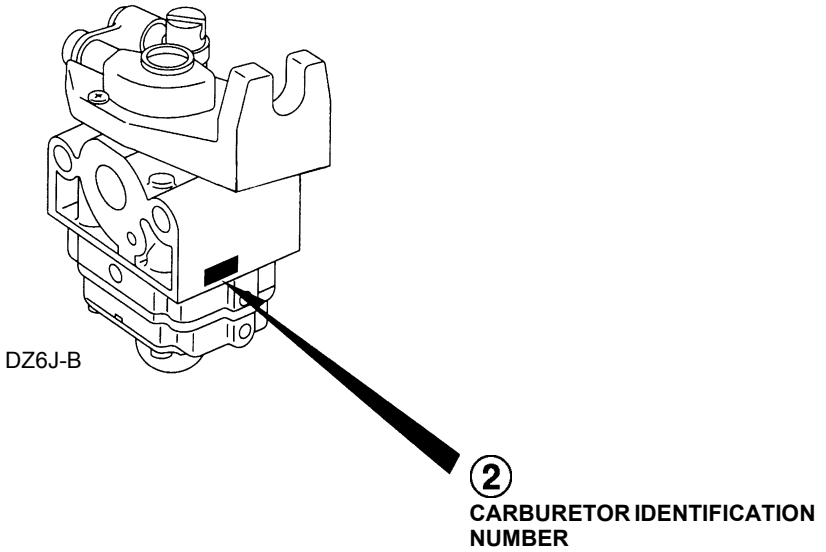
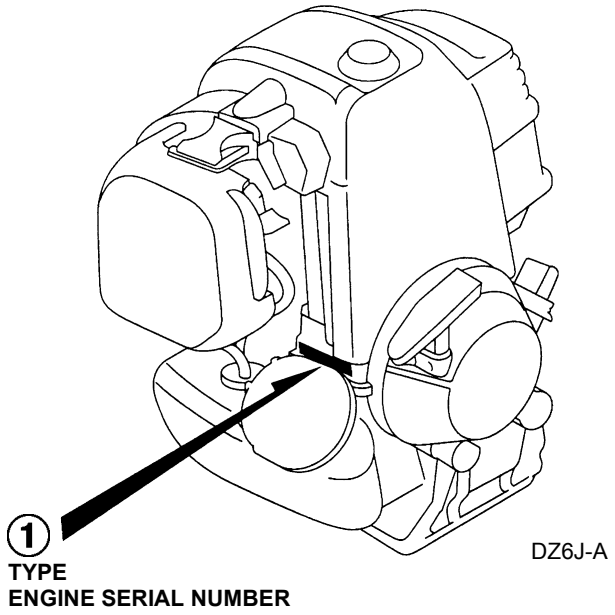
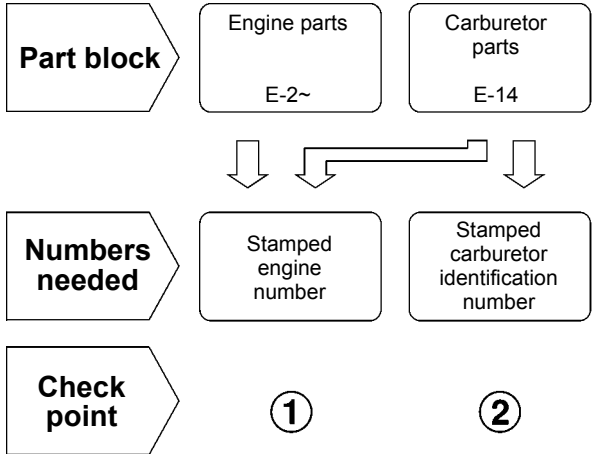
• The parts listed with "###" at the end of the parts name have limited supply period (parts not for sale).

**Abbreviations used in the parts catalogue**

• The following abbreviations are used in the parts name column.

- A ..... Ampere
- A.C. .... Alternating current
- ASSY. .... Assembly
- AT. .... Automatic transmission
- C.D.I. .... Capacitive discharge ignition
- COMP. ... Complete
- D.C. .... Direct current
- EX. .... Exhaust
- G.F.C.I ... Ground fault circuit interruptor
- HEX. .... Hexagonal
- H.S.T. .... Hydrostatic transmission
- FR. ....Front
- IN. ....Inlet
- L (100L) .Link (100 Links)
- L. ....Left
- MM .....Millimeter
- MT. ....Manual Transmission
- P.T.O. ....Power take off
- R. ....Right
- RR. ....Rear
- STD. ....Standard
- T (22T) ...Tooth (22 Teeth)
- V .....Volt
- W .....Watt

How to check the part block and serial numbers





### Models, parts catalogue codes and applicable serial numbers

- Models, parts catalogue codes and applicable serial Nos. given in this parts catalogue can be identified as follows.

Model	Type	Parts catalogue type	Applicable engine serial No.	Applicable carburetor identification No.
GX25NT	SAM3	SAM3	GCART-1000001~	WYB 6D
	SGT3	SGT3		
	ST3	ST3		
	S3	S3		WYB 9B
	T3	T3		WYB 12B
	W3	W3		

\* Of carburetor identification numbers, only the portions underlined in the example below are used for registration.

WYB 6D KC †

### Features of each type

- See the following table for the features of each type. (Items in brackets are optional)

Specifications	Model	GX25NT					
	Type	SAM3	SGT3	ST3	S3	T3	W3
P.T.O. Shaft							●
Tank guard			●	●			
Control							●

## Fuel hose, general purpose hoses and vinyl hose

- The standard part fuel hose, general purpose hose and vinyl hose may be substituted by the coiled bulk part.
- When ordering the standard part fuel hose, general purpose hose and vinyl hose use the bulk part number written in the parts catalog in brackets ( ) underneath the part name.
- When exchanging the hose, cut and use at the specified length as mentioned in the part name.  
(For the method of cutting the bulk part, and method of filling out orders etc., please refer to the instructions issued with the bulk part.)

### Bulk part number of fuel hose, general purpose hose and vinyl hose.

Example: 9 5 0 0 1 - 7 5 0 0 1 - 5 0 M

**Bulk part number:**  
Refers to the bulk part.

**Marking code (fuel hose and general purpose hose)**

**Change code (Vinyl hose)**

Indicates number mark or change sequence, however, the code for the bulk part must be strictly 0 (zero).

**Types of code:**

- |             |  |                |  |              |   |
|-------------|--|----------------|--|--------------|---|
| • Fuel hose | 2: Red outside braid<br>(3 mm inside dia. only)        | • General hose | 1: Ash gray<br>2: Ash gray<br>3: Black<br>5: Black | • Vinyl hose | 1: Clear<br>2: Black<br>3: Light red<br>6: Light red<br>7: Pale black |
|             | 5: Black inside braid                                  |                |  |              |   |
|             | 3: Red (3 mm inside dia. only)                         |                |  |              |   |
|             | 4: Ash gray with red stripe<br>(3 mm inside dia. only) |                |  |              |   |
|             | 6: Black   |                |  |              |   |

**Lengths:**

- 001: 1 m (standard)  
003: 3 m  
008: 8 m } Application or specification of some parts is not settled.

**I.D code: (fuel hose and general purpose hose)**

- |            |                    |                    |                             |                             |
|------------|--------------------|--------------------|-----------------------------|-----------------------------|
| 30: 3.0 mm | 50: 5.0 mm         | 70: 7.0 mm         | 11: 11 mm                   | 12: 12 (outside dia. 17) mm |
| 35: 3.5 mm | 55: 5.3 mm, 5.5 mm | 75: 7.3 mm, 7.5 mm | 91: 12 (outside dia. 15) mm | 14: 14 mm                   |
| 45: 4.5 mm | 65: 6.5 mm         | 80: 8.0 mm         | 92: 12 (outside dia. 16) mm | 17: 17 mm                   |

**ID./OD. code: (vinyl hose)**

- |                         |                          |                           |                           |                           |
|-------------------------|--------------------------|---------------------------|---------------------------|---------------------------|
| 01: ID. 2.9, OD. 6.8 mm | 12: ID. 5.0, OD. 7.0 mm  | 21: ID. 8.0, OD. 9.0 mm   | 37: ID. 11.0, OD. 15.0 mm | 50: ID. 16.0, OD. 19.0 mm |
| 03: ID. 3.0, OD. 6.0 mm | 10: ID. 5.0, OD. 8.0 mm  | 23: ID. 8.0, OD. 12.0 mm  | 38: ID. 12.0, OD. 13.0 mm | 55: ID. 17.5, OD. 20.5 mm |
| 05: ID. 3.5, OD. 6.5 mm | 11: ID. 5.0, OD. 9.0 mm  | 25: ID. 9.0, OD. 11.0 mm  | 39: ID. 12.0, OD. 14.0 mm | 60: ID. 22.0, OD. 27.0 mm |
| 07: ID. 4.0, OD. 7.0 mm | 14: ID. 6.0, OD. 9.0 mm  | 27: ID. 9.0, OD. 13.0 mm  | 40: ID. 12.0, OD. 16.0 mm |                           |
| 08: ID. 4.5, OD. 6.5 mm | 17: ID. 7.0, OD. 9.0 mm  | 33: ID. 10.0, OD. 14.0 mm | 43: ID. 13.0, OD. 15.0 mm |                           |
| 09: ID. 4.5, OD. 8.0 mm | 19: ID. 7.0, OD. 11.0 mm | 36: ID. 11.0, OD. 13.0 mm | 45: ID. 14.0, OD. 18.0 mm |                           |

**Hose type:**

- 1: Fuel hose  
3: Vinyl hose  
5: General hose

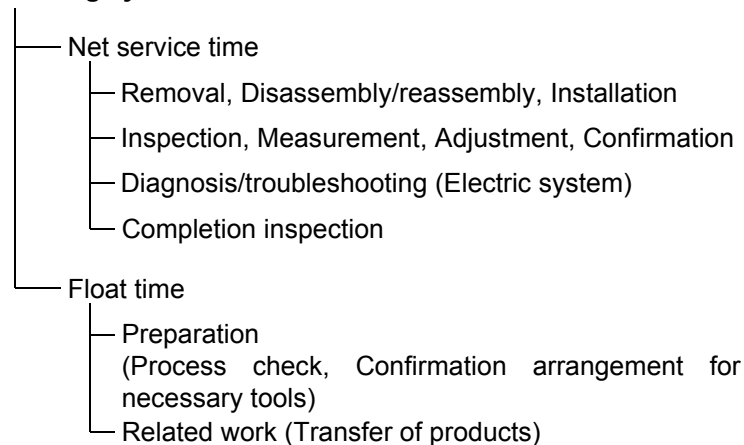
⊙ **CAUTION: It is DANGEROUS to confuse the fuel hose with the general purpose hose or vinyl hose.**

Never use a general purpose hose or vinyl hose in place of a fuel hose or vice versa. Always use the correct bulk part in the parts catalogue, according to the service manual or the instructions issued with the bulk part.

## FLAT RATE SERVICE TIME

Flat rate service time (FRT) means the standard time required to service a product, which is listed in this manual to help the dealers control the actual working process and calculate the service charge by using it as a guide.

### FRT setting system



\* Float time is set by multiplying the net service time by a given coefficient.

### Editorial style

The service items shown in the text are listed with the exchange work time for the repair sales parts as the subject. Other representative service items not using repair parts (removal/installation, adjustment, inspection/measuring, and other work) are listed collectively in the list in the preface, classified according to the work.

### FRT setting standard

- Decimal system (in unit of 0.1) is adopted to set FRT as it is convenient to calculate the wage.  
Example: (0.1) → 6 minutes, (0.2) → 12 minutes  
[Labor cost per hour] x [FRT] = [Wage]
- FRT is set with a hand tool.
- Service items and FRT can be subject to change depending on development of tools and service equipment and improvement in service procedure.

**Work procedure**

- As the work procedure is set with the work time according to the method in the separate Service Manual, refer to this Manual as required.
- Work methods permitting servicing in the shortest time still permitting assurance of safe work and product warranty are used for the setting of service items not listed in the Service Manual.
- Work basically is to be performed by one person, and when two or more people are required, setting is done as the total time for the number of people.
- The set value for the technological level of the workers uses a person with three years of experience in the repair of Honda products as the standard.
- Special tools and service equipment used to set FRT are those specified or recommended in Service Manual.

**Service item whose FRT is not presented**

- Accessories and service parts that are not listed to use in this manual.
  - Locations with little aging deterioration or breakage during normal use.
  - Service work that can be finished by one touch.
  - Service work that is seldom done (i.e. extremely small causes of trouble and service frequency).
  - Products and parts whose location for installation differs according to its status of use and application.
- \* When FRT is not presented, please calculate wages based on appropriate actual work time.

**Operation not included of FRT**

- Oil and coolant water draining, Waiting time for warming up operation and etc..
- Additional operation that involves removal/installation of standard exterior equipment.
- Indirect time spent for service by visiting the customer, trade-in, and delivery.
- Indirect time required for ordering and delivery of parts.
- Cost for grease, adhesive agent, etc. used for service work.

**Explanation of FRT by using an example  
(The example may differ from the actual presented items)**

Ref. No.	L.O.N.	(Relative ref. Number) Description	F.R.T.
①	1111L1	(1, 3, 4, 7) VALVE, INTAKE .....4.1	②
②		• NOTE: OHV type	③
③	1111L1A	• Includes: Engine removal and installation One head (intake all) add .....1.4	④

- ① Reference No. of the illustration of part that shows location of the replacement work.
- ② FRT is an abbreviation of Flat Rate Time indicating the standard service time required for the replacement.
- ③ LON is an abbreviation of Labor Operation Number, and it is a classification of the service items by the work unit code.

The same operation code is used regardless of the models.

Standard operation is indicated with 6 digits code, and additional operation is indicated with 7 digits code.

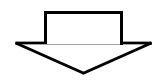
- ④ Indicating the intake valve replacement and FRT4.1.
- ⑤ Indicating FRT1.4 that will be added when additional operation (whole intake side of one cylinder head) is done in association with intake valve replacement.

- ⑥ Indicating work condition or application condition of the service item.
- ⑦ Indicating work contents that are included in the service item.
- ⑧ Indicating a reference No. whose operation and time are the same as FRT4.1 for the intake valve.

(The application range is limited to the service items without an LON setting within a same block.)

**How to refer to the service item by using the sample  
(intake valve replacement)**

Open to the page of the block where the intake valve's spare part illustration is shown.



Look for the intake valve illustration, and refer to the service item and FRT that agree with the reference No.

Indication mark for the listing of service items that continues to the following page

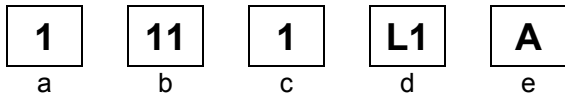
Ref. No.	L.O.N.	(Relative ref. Number) Description	F.R.T.
2	1111L1	VALVE, INTAKE .....	4.1
	.	.	.
	.	.	.

+  
Mark indicated at the last line.

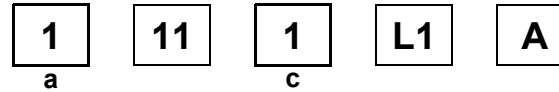
Indication of the block with no setting of FRT

Ref. No.	L.O.N.	(Relative ref. Number) Description	F.R.T.
<b>NO INFORMATION .....</b>			

• LON code system



- a) Category code..... Engine
- b) Location/function code ..... Engine upper
- c) Operation code..... Replace
- d) Operation sequence number (Unit code can be shown with alphabet)  
..... Intake valve  
(No regular rule of code)
- e) Additional code ..... One head (intake all)  
(No regular rule of code)



a) Category codes and classification

Code	Category
1	Engine
2	Power drive
3	Fuel & Exhaust
4	Frame & Body
5	Steering
6	Electrical
7	Axle & Brake
8	Control system
9	-
0	Attachments

c) Operation codes and classification

Code	Operation category
1	Replace, Removal/Installation, Change
2	Overhaul
3	Adjust, Rotation
4	(Paint-related work: Top-coat)
5	Test, Inspect/diagnose, Measurement
6	(Overhaul-related work: Rebore)
7	(Overhaul-related work: Reseal)
8	(Resurface)
9	(Paint-related work: Refinish)
0	Repair, Cleaning, Air bleeding

Major service items without using spare parts

(1) Removal/Installation, (2) Adjustment, (3) Inspection/Measurement, (4) Overhaul, (5) Other work

E: Engine, T: Transmission, D: Drive system, B: Body and related parts

### (2) Adjustment

	LON	DESCRIPTION	FRT
E	1113A1	<b>VALVE CLEARANCE-ADJUSTMENT</b> NOTE: For 1 product	0.4
	3113A2	<b>CARBURETOR IDLE-ADJUSTMENT</b>	0.2

### (3) Inspection, Measurement, Cleaning

	LON	DESCRIPTION	FRT
E	1105A0	<b>ENGINE OIL-INSPECTION</b>	0.1
	3100A0	<b>FUEL FILTER-CLEANING</b>	0.3
	3120A0	<b>AIR CLEANER-CLEANING</b> INCLUDES: Air cleaner-inspection	0.1
	3130A0	<b>SPARK ARRESTER-CLEANING</b>	0.2
	6140A0	<b>SPARK PLUG-ADJUSTMENT/CLEANING</b> NOTE: For 1 product	0.1

### (4) Overhaul

Work condition: The required Measurements, inspections, adjustments, and cleaning/washing of each part are performed, including the main body removal/installation work and the replacement of defective parts.

	LON	DESCRIPTION	FRT
E	3112A0	<b>CARBURETOR-OVERHAUL</b> INCLUDES: All necessary adjustment	0.4

### (5) Other work

	LON	DESCRIPTION	FRT
E	1101E1	<b>ENGINE OIL-CHANGE</b> INCLUDES: Engine oil-inspection	0.1

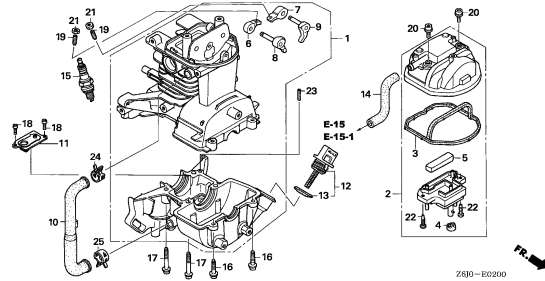
# ENGINE GROUP

**B13**

**E-2**

**CRANKCASE SET**

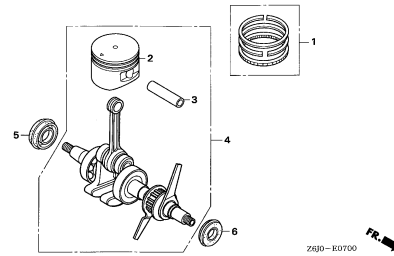
**C 1**



**E-7**

**CRANKSHAFT/PISTON**

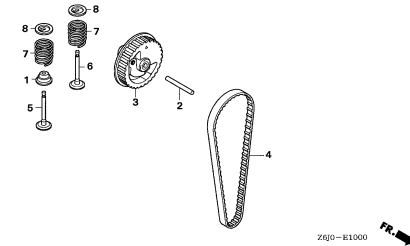
**C 3**



**E-10**

**CAM PULLEY**

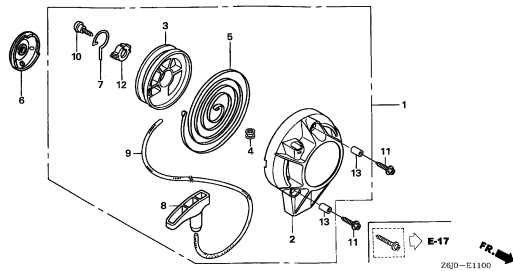
**C 4**



**E-11**

**RECOIL STARTER**

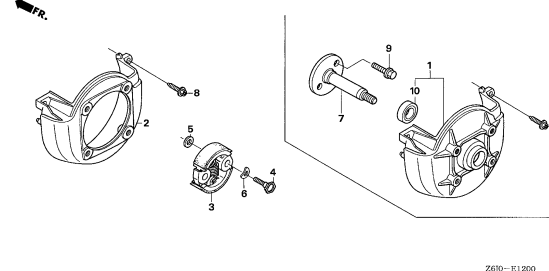
**C 5**



**E-12**

**FAN COVER/CLUTCH**

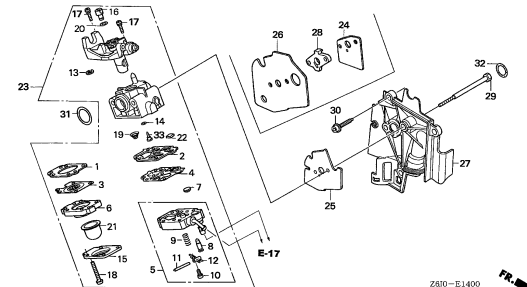
**C 6**



**E-14**

**CARBURETOR**

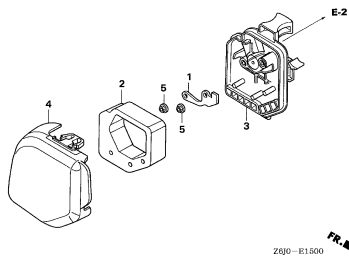
**C 7**



**E-15**

**AIR CLEANER(1)**

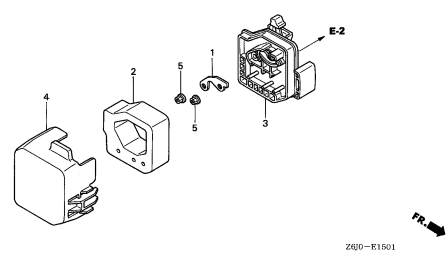
**C 9**



**E-15-1**

**AIR CLEANER(2)**

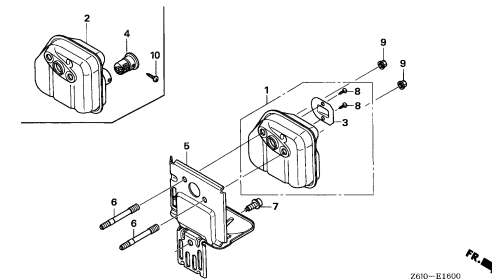
**C10**



**E-16**

**MUFFLER**

**C11**



**2**



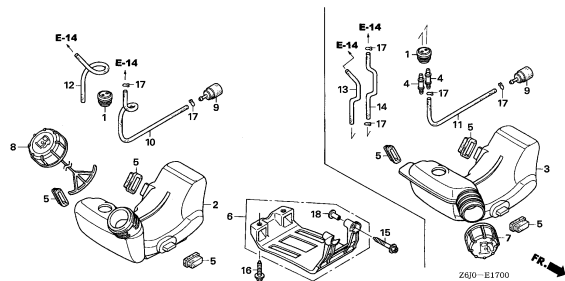
# ENGINE GROUP

**B14**

**E-17**

FUEL TANK

**C12**



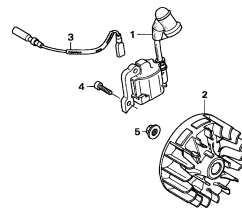
Z60-E1700



**E-19**

FLYWHEEL

**C13**



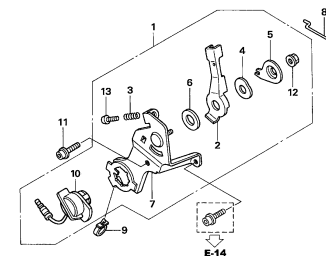
Z60-E1900



**E-22**

CONTROL

**C14**



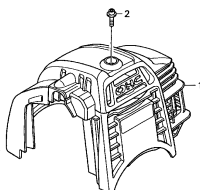
Z60-E2200



**E-27**

TOP COVER

**C15**



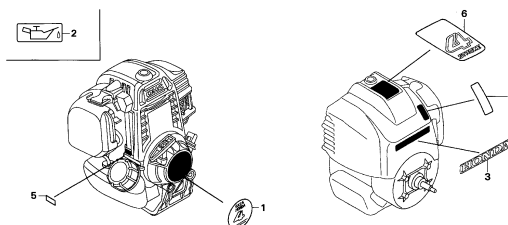
Z60-E2700



**E-28**

LABEL

**C16**

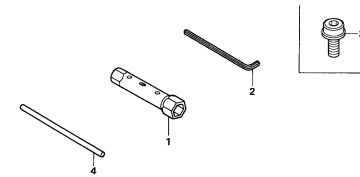


Z60-E2800

**E-29**

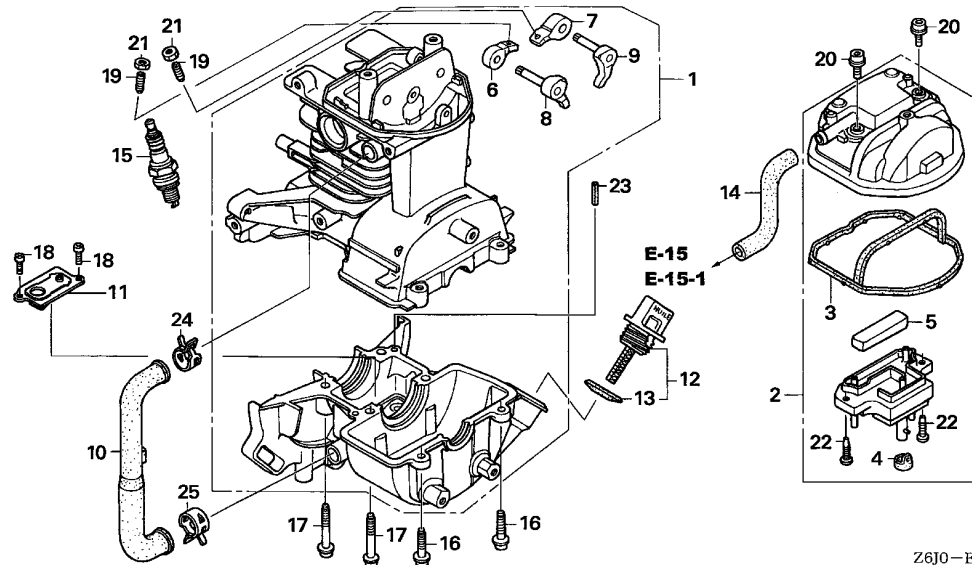
TOOL

**D 1**



Z60-E2900

**2**



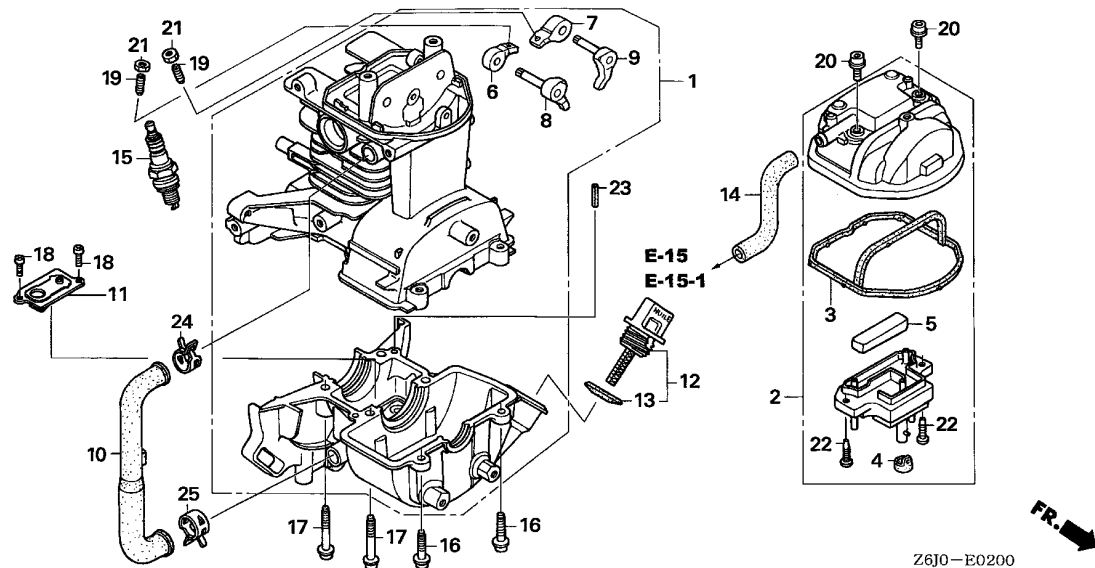
Z6J0-E0200



Ref. No.	L.O.N.	(Relative ref. Number) Description	F.R.T.
1	1101B7	CRANKCASE .....	1.5
2	1111D5	COVER, CYLINDER HEAD AND/OR PACKING, HEAD COVER .....	0.1
6	1111A2	ARM, ROCKER :INTAKE .....	0.6
7	1111A1	ARM, ROCKER :EXHAUST .....	0.6
8	1111L9	LIFTER, VALVE :INTAKE .....	0.6
9	1111M0	LIFTER, VALVE :EXHAUST .....	0.6
10	1171A4	TUBE, OIL .....	0.3
11	1171A2	PLATE, OIL OUTLET VALVE .....	1.1
14	1111K5	TUBE, BREATHER .....	0.1
15	6141C1	PLUG, SPARK .....	0.1

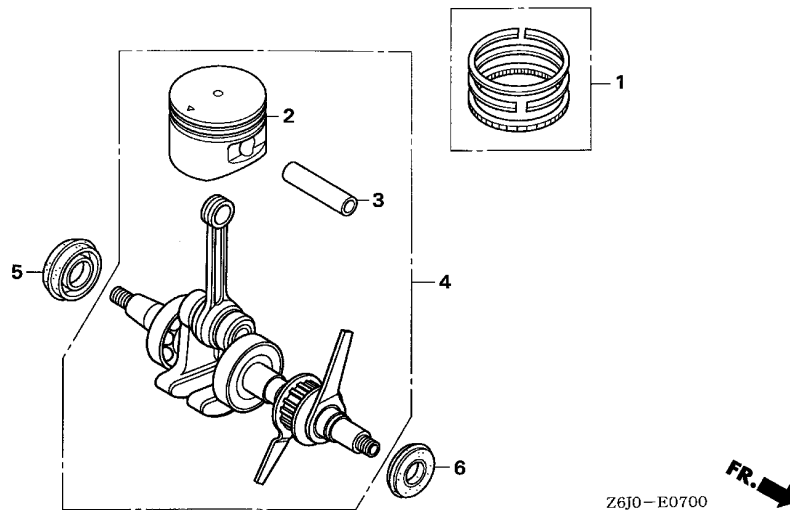
Ref. No.	Part No.	Description	Reqd. QTY		Serial No.	Parts catalogue code
			GX	NT		
1	10100-Z3E-405	CRANKCASE SET .....	1			
2	12310-Z0H-010	COVER, CYLINDER HEAD .....	1			
3	12312-Z0H-300	SEAL, HEAD COVER .....	1			
4	12314-Z0H-300	GROMMET, HEAD COVER .....	1			
5	12367-Z0H-000	FILTER, BREATHER .....	1			
6	14431-Z0H-003	ARM, IN. VALVE ROCKER .....	1			
7	14441-Z0H-003	ARM, EX. VALVE ROCKER .....	1			
8	14730-Z0H-000	LIFTER COMP., IN. VALVE .....	1			
9	14740-Z0H-000	LIFTER COMP., EX. VALVE .....	1			
10	15422-Z0H-000	TUBE, OIL .....	1			
11	15510-Z3E-000	PLATE ASSY., OIL OUTLET VALVE .....	1			
12	15600-Z0T-800	CAP ASSY., OIL FILLER .....	1			
13	15625-Z0T-800	PACKING, OIL FILLER CAP .....	1			
14	15721-Z0H-000	TUBE, BREATHER .....	1		----- SGT3,ST3,S3	
	15721-Z0H-800	.....	1		----- SAM3,W3	
	15721-Z0H-820	.....	1		----- T3	
15	31914-Z0H-003	PLUG, SPARK (CMR4H)(NGK) .....	(1)			
	31915-Z0H-003	PLUG, SPARK (CMR5H)(NGK) .....	1			
	31916-Z0H-003	PLUG, SPARK (CMR6H)(NGK) .....	(1)			
16	90009-Z0H-003	BOLT, SOCKET, 5X20 .....	2			
17	90010-Z0H-003	BOLT, SOCKET, 5X30 .....	4			
18	90013-Z0H-004	SCREW, PAN, 4X8 .....	2			
19	90017-Z0H-000	SCREW, TAPPET ADJUSTING .....	2			
20	90019-Z0H-003	BOLT, SOCKET, 5X12 .....	2			
21	90206-ZM3-000	NUT, TAPPET ADJUSTING .....	2			





Z6J0-E0200

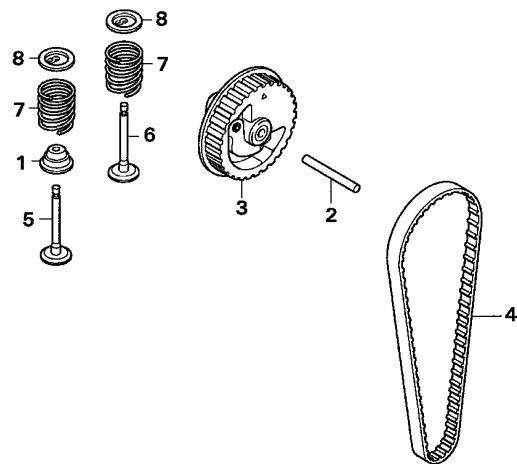
Ref. No.	Part No.	Description	Reqd. QTY		Serial No.	Parts catalogue code
			GX	NT		
22	93901-34320	SCREW, TAPPING, 4X12	2			
23	94305-40102	PIN, SPRING, 4X10	1			
24	95002-41200-08	CLAMP, TUBE (D12)	1			
25	95002-41300-04	CLAMP, TUBE (D13)	1			



Ref. No.	L.O.N.	(Relative ref. Number) Description	F.R.T.
1	(2,3)		
	1111J4	RING SET, PISTON .....	1.3
	1111J4F	.Replace 1 piston and/or pin and/or rod, connecting and/or bearing add .....	0.1
4	1101F0	CRANKSHAFT .....	1.2
5	1101E5	OIL SEAL, CRANKSHAFT :REAR ...	1.2
6	1101E4	OIL SEAL, CRANKSHAFT :FRONT ..	1.2

Ref. No.	Part No.	Description	Reqd. QTY		Serial No.	Parts catalogue code
			GX	NT		
1	13010-Z0H-000	RING SET, PISTON .....	1			
2	13101-Z0H-000	PISTON .....	1			
3	13111-Z0H-000	PIN, PISTON .....	1			
4	13310-Z0H-020	CRANKSHAFT COMP. ....	1		----- SAM3,SGT3,ST3,S3,T3	
	13310-Z0H-801	.....	1		----- W3	
5	91211-Z3E-000	OIL SEAL, 12X24X5 .....	1			
6	91212-Z3E-000	OIL SEAL, 10X20X5 .....	1			



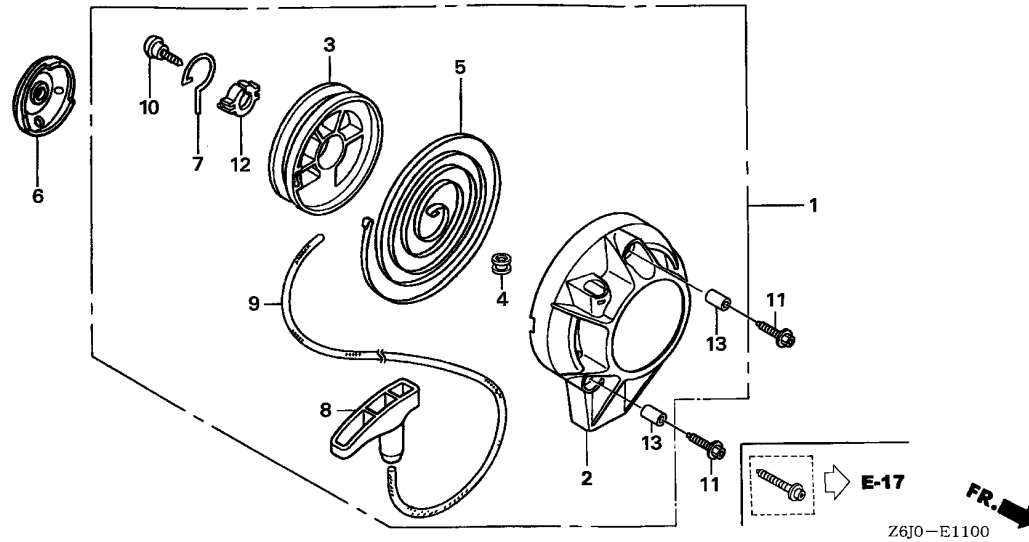


Z6J0-E1000



Ref. No.	L.O.N.	(Relative ref. Number) Description	F.R.T.
1	1111K2	SEAL, INTAKE VALVE STEM .....	1.2
3	1111N5	PULLEY, CAMSHAFT .....	0.4
4	1111N6	BELT, TIMING .....	1.2
5	1111L1	VALVE, INTAKE .....	1.3
		1111L1E .Replace intake and exhaust all add .....	0.1
6	1111L0	VALVE, EXHAUST .....	1.3
		1111L0E .Replace intake and exhaust all add .....	0.1
7	1111P3	SPRING, VALVE :INTAKE .....	1.2
		.INCLUDES: Valve clearance adjustment	
		1111P3A .Replace intake and exhaust all add .....	0.1
		1111P4 SPRING, VALVE :EXHAUST .....	1.2
		.INCLUDES: Valve clearance adjustment	
		1111P4A .Replace intake and exhaust all add .....	0.1

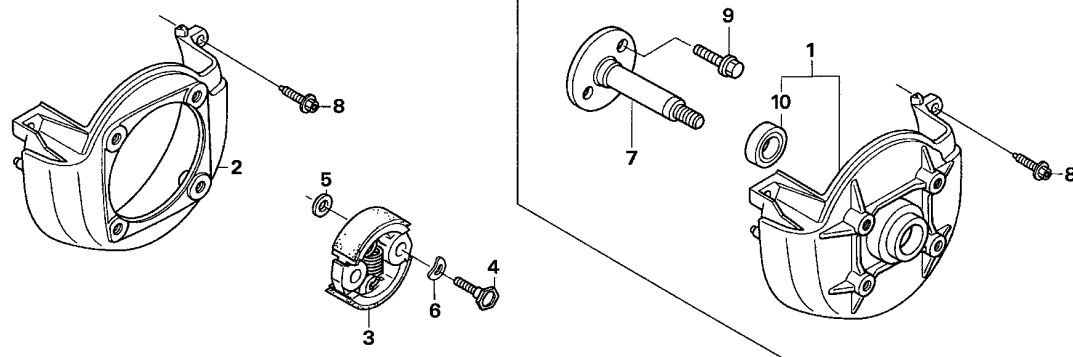
Ref. No.	Part No.	Description	Reqd. QTY		Serial No.	Parts catalogue code
			GX	NT		
1	12209-Z3E-000	SEAL, VALVE STEM .....	1			
2	14126-Z0H-003	ROLLER, 4X29.8 .....	1			
3	14320-Z0H-010	PULLEY COMP., CAMSHAFT .....	1			
4	14400-Z0H-003	BELT, TIMING (71ZU6 G-300) ..	1			
5	14711-Z0H-800	VALVE, IN. ....	1			
6	14721-Z0H-800	VALVE, EX. ....	1			
7	14751-Z0H-000	SPRING, VALVE .....	2			
8	14771-Z0H-000	RETAINER, VALVE SPRING .....	2			



Ref. No.	L.O.N.	(Relative ref. Number) Description	F.R.T.
1	1121B9	STARTER, RECOIL .....	0.1
3	1121B1	REEL, RECOIL STARTER .....	0.3
5	1121B7	SPRING, RECOIL STARTER RETURN .....	0.3
6	1121A9	PULLEY, RECOIL STARTER .....	0.3
8	1121A3	GRIP, RECOIL STARTER .....	0.1
9	1121B3	ROPE, RECOIL STARTER .....	0.3

Ref. No.	Part No.	Description	Reqd. QTY		Serial No.	Parts catalogue code
			GX	NT		
1	28400-ZOH-003	STARTER ASSY., RECOIL .....	1			
2	28414-ZOH-003	CASE, RECOIL STARTER .....	1			
3	28421-ZOH-003	REEL, RECOIL STARTER .....	1			
4	28433-ZM3-003	GUIDE, ROPE .....	1			
5	28442-ZOH-003	SPRING, RECOIL STARTER .....	1			
6	28451-ZOH-003	PULLEY, RECOIL STARTER .....	1			
7	28459-ZOH-003	ARM, SWING .....	1			
8	28461-ZM3-003	KNOB, RECOIL STARTER .....	1			
9	28462-ZM3-003	ROPE, RECOIL STARTER .....	1			
10	90012-ZM3-003	SCREW, SETTING .....	1			
11	90018-ZOH-003	BOLT, SOCKET, 5X16 .....	1		----- SGT3,ST3	
			3		----- SAM3,S3,T3,W3	
12	91504-ZM3-003	COLLAR .....	1			
13	91506-ZM3-000	COLLAR A, HEAD COVER .....	3			

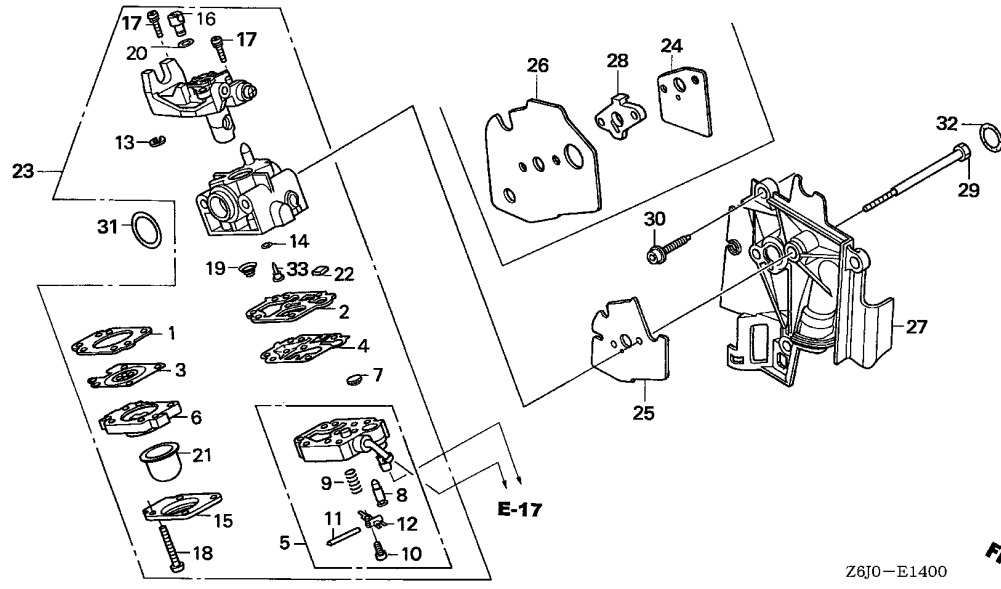




Z6J0-E1200

Ref. No.	L.O.N.	(Relative ref. Number) Description	F.R.T.
2	1141G8	COVER, ENGINE COOLING FAN ....	0.1
3	2121F7	CLUTCH, CENTRIFUGAL .....	0.3
7	2141H4	SHAFT, POWER TAKE OFF .....	0.3

Ref. No.	Part No.	Description	Reqd. QTY		Serial No.	Parts catalogue code
			GX	NT		
1	19610-Z0H-801	COVER COMP., FAN .....	1	-----	-----	W3
2	19611-Z0H-000	COVER, FAN .....	1	-----	-----	SAM3,SGT3,ST3,S3,T3
3	22000-ZM3-003	CLUTCH ASSY. ....	1	-----	-----	SGT3,ST3,S3,T3
	22000-Z0H-U61	.....	1	-----	-----	SAM3
4	22253-Z3E-U60	BOLT, CLUTCH (6MM) .....	2	-----	-----	SAM3
	22253-Z3E-000	.....	2	-----	-----	SGT3,ST3,S3,T3
5	22254-Z3E-U60	WASHER, CLUTCH (6MM) .....	2	-----	-----	SAM3
	22254-Z3E-000	WASHER, CLUTCH (6X15) .....	2	-----	-----	SGT3,ST3,S3,T3
6	22255-Z3E-U60	WASHER, WAVE .....	2	-----	-----	SAM3
	22255-Z3E-000	WASHER, WAVE (8MM) .....	2	-----	-----	SGT3,ST3,S3,T3
7	40210-Z0H-800	SHAFT COMP., P.T.O. ....	1	-----	-----	W3
8	90009-Z0H-003	BOLT, SOCKET, 5X20 .....	3	-----	-----	
9	96001-06022-00	BOLT, FLANGE, 6X22 .....	2	-----	-----	W3
10	96150-60010-10	BEARING, RADIAL BALL, 6001UU	1	-----	-----	W3



Z8J0-E1400

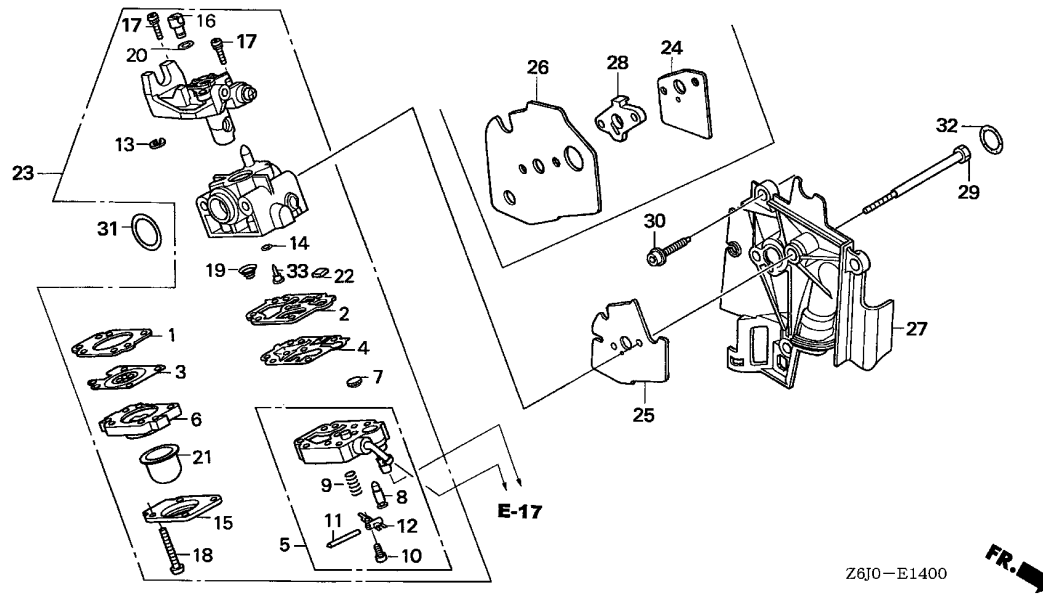


Ref. No.	L.O.N.	(Relative ref. Number) Description	F.R.T.
2		(19,22)	
3111B7		GASKET, CARBURETOR PUMP .....	0.4
5		(4,7)	
3111A0		BODY ASSEMBLY, PUMP .....	0.4
6		BODY, AIR PURGE .....	0.3
8		(9,11,12)	
3111E3		VALVE, INLET NEEDLE .....	0.4
21		PUMP, PRIMER .....	0.3
23		CARBURETOR .....	0.2
25		(24)	
3111C8		PACKING, CARBURETOR .....	0.2
27		SHROUD, ENGINE .....	0.2
28		(26)	
4141E7		SPACER, SHROUD .....	0.2
31		O-RING, CARBURETOR BODY .....	0.1
33		(14)	
3111C3		JET, MAIN .....	0.4

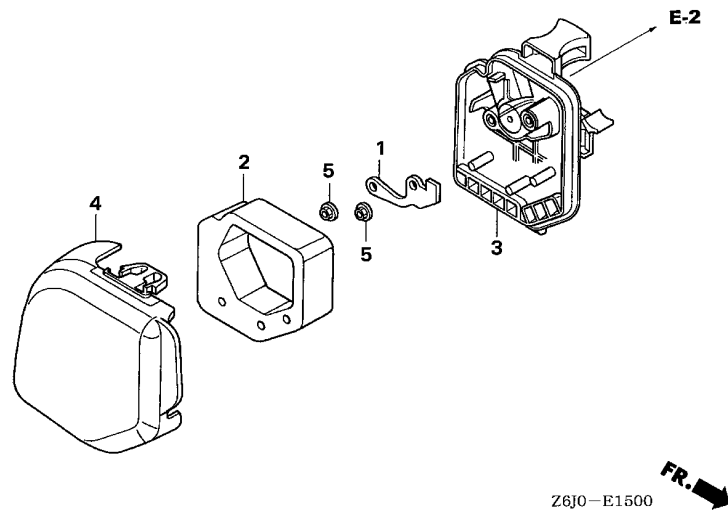
Ref. No.	Part No.	Description	Reqd. QTY	Serial No.	Parts catalogue code
			GX 25 NT		
1	16010-ZM3-004	GASKET, METERING DIAPHRAGM ..	1		
2	16011-ZOH-013	GASKET, PUMP .....	1		
3	16013-ZOH-003	DIAPHRAGM ASSY., METERING ...	1		
4	16014-ZM3-004	DIAPHRAGM, PUMP .....	1		
5	16015-ZOH-013	BODY ASSY., PUMP .....	1		
6	16017-ZM3-004	BODY ASSY., AIR PURGE .....	1		
7	16018-ZM3-802	SCREEN, INLET .....	1		
8	16019-ZM3-004	VALVE, INLET NEEDLE .....	1		
9	16020-ZM3-004	SPRING, METERING LEVER .....	1		
10	16021-ZM3-004	SCREW, METERING LEVER PIN ...	1		
11	16022-ZM3-014	PIN, METERING LEVER .....	1		
12	16023-ZM3-004	LEVER, METERING .....	1		
13	16024-ZOH-003	RING, RETAINING .....	1		
14	16025-ZM3-004	O-RING .....	1		
15	16026-ZM3-004	COVER, PRIMER PUMP .....	1		
16	16027-ZM3-004	SWIVEL .....	1		
17	16028-ZM3-004	SCREW, THROTTLE COLLAR .....	2		
18	16029-ZM3-004	SCREW, PUMP COVER .....	4		
19	16030-ZM3-004	SPRING, PUMP .....	1		
20	16031-ZM3-004	WASHER .....	1		
21	16032-ZM3-004	PUMP, PRIMER .....	1		
22	16035-ZM3-802	FILTER, FUEL INLET .....	1		
23	16100-ZOH-043	CARBURETOR ASSY. (WYB 6D) ...	1	-----	SAM3,SGT3,ST3,S3
	16100-ZOH-825	CARBURETOR ASSY. (WYB 9B) ...	1	-----	T3
	16100-ZOH-844	CARBURETOR ASSY. (WYB 12B) ..	1	-----	W3







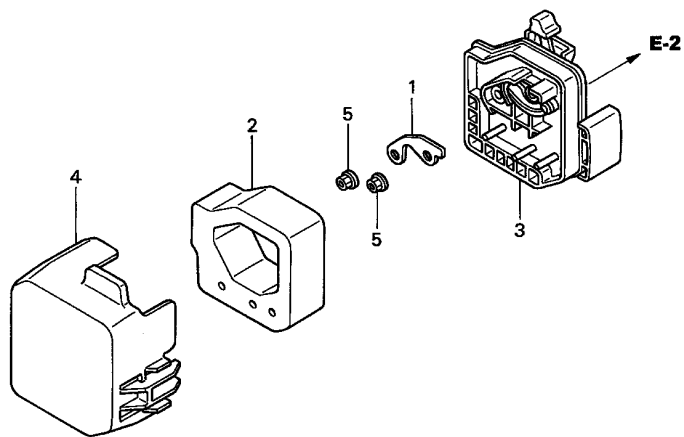
Ref. No.	Part No.	Description	Reqd. QTY		Serial No.	Parts catalogue code
			GX	NT		
24	16221-ZM3-000	PACKING, CARBURETOR .....	1		-----	SAM3,W3
25	16221-ZOH-000	PACKING, CARBURETOR .....	1		-----	SGT3,ST3,S3,T3
26	16222-ZOH-800	PACKING, SHROUD .....	1		-----	SAM3,W3
27	19631-ZOH-000	SHROUD .....	1		-----	
28	19632-ZOH-800	SPACER, SHROUD .....	1		-----	SAM3,W3
29	90014-ZOH-003	BOLT, 5X53 .....	2		-----	SGT3,ST3,S3,T3
	90014-ZOH-801	BOLT, 5X59 .....	2		-----	SAM3,W3
30	90018-ZOH-003	BOLT, SOCKET, 5X16 .....	3			
31	91301-ZM3-000	O-RING, 14.8X2.4 .....	1			
32	91308-Z3E-000	O-RING, 12.3X2.4 .....	1			
33	99101-ZM5-0330	JET (#33) .....	(1)			
	99101-ZM5-0340	JET (#34) .....	1			
	99101-ZOH-0320	JET (#32) .....	(1)			



Ref. No.	L.O.N.	(Relative ref. Number) Description	F.R.T.
2	3121B8	ELEMENT, AIR CLEANER .....	0.1
3	3121A5	CASE, AIR CLEANER .....	0.1
4	3121B1	COVER, AIR CLEANER .....	0.1

Ref. No.	Part No.	Description	Reqd. QTY		Serial No.	Parts catalogue code
			GX	NT		
1	17204-ZOH-000	PLATE, OIL TRAP .....	1	-----	-----	SAM3,SGT3,ST3,S3,W3
2	17211-ZOH-000	ELEMENT, AIR CLEANER .....	1	-----	-----	SAM3,SGT3,ST3,S3,W3
3	17220-ZOH-000	CASE COMP., AIR CLEANER .....	1	-----	-----	SAM3,SGT3,ST3,S3,W3
4	17231-ZOH-000	COVER, AIR CLEANER .....	1	-----	-----	SAM3,SGT3,ST3,S3,W3
5	94050-05000	NUT, FLANGE, 5MM .....	2	-----	-----	SAM3,SGT3,ST3,S3,W3

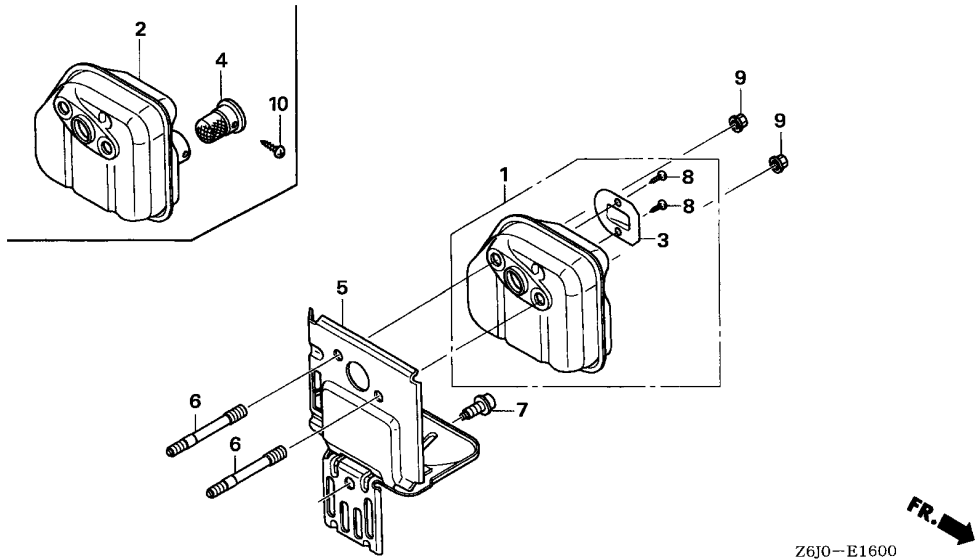




Z6J0-E1501

Ref. No.	L.O.N.	(Relative ref. Number) Description	F.R.T.
2	3121B8	ELEMENT, AIR CLEANER .....	0.1
3	3121A5	CASE, AIR CLEANER .....	0.1
4	3121B1	COVER, AIR CLEANER .....	0.1

Ref. No.	Part No.	Description	Reqd. QTY		Serial No.	Parts catalogue code
			GX	NT		
1	17204-ZOH-800	PLATE, OIL TRAP .....	1	-----	-----	T3
2	17211-ZOH-800	ELEMENT, AIR CLEANER .....	1	-----	-----	T3
3	17220-ZOH-802	CASE COMP., AIR CLEANER .....	1	-----	-----	T3
4	17231-ZOH-801	COVER, AIR CLEANER .....	1	-----	-----	T3
5	94050-05000	NUT, FLANGE, 5MM .....	2	-----	-----	T3



Ref. No.	L.O.N.	(Relative ref. Number) Description	F.R.T.
1		(2)	
3131C5		MUFFLER, EXHAUST .....	0.1
3		(4)	
3131A1		ARRESTER, SPARK .....	0.1
5		3131B6 GUIDE, AIR EXHAUST .....	0.1

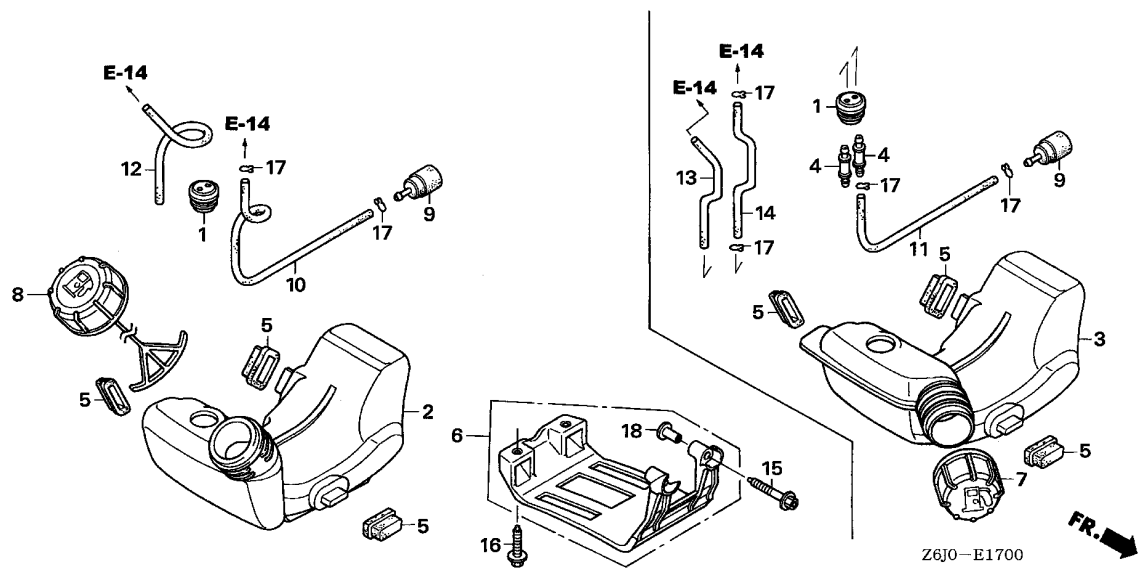
Ref. No.	Part No.	Description	Reqd. QTY	Serial No.	Parts catalogue code
			GX 25 NT		
1	18310-ZOH-800	MUFFLER COMP. ....	1	-----	SAM3,SGT3,ST3,S3,W3
2	18310-ZOH-840	MUFFLER COMP. (ARRESTER) ....	1	-----	T3
3	18350-ZOH-800	ARRESTER COMP., SPARK .....	1	-----	SAM3,SGT3,ST3,S3,W3
4	18350-ZOH-820	ARRESTER COMP., SPARK .....	1	-----	T3
5	18515-ZOH-000	GUIDE, AIR EX. ....	1	-----	
6	90001-ZOH-003	BOLT, STUD, 2.5X42 .....	2	-----	
7	90011-ZOH-003	BOLT, SOCKET, 5X10(CT) .....	1	-----	
8	90055-ZE1-000	SCREW, TAPPING, 4X6 .....	2	-----	SAM3,SGT3,ST3,S3,W3
9	90136-SM4-901	NUT, SELF-LOCK, 5MM .....	2	-----	
10	93901-22010	SCREW, TAPPING, 3X6 .....	1	-----	T3



E-17

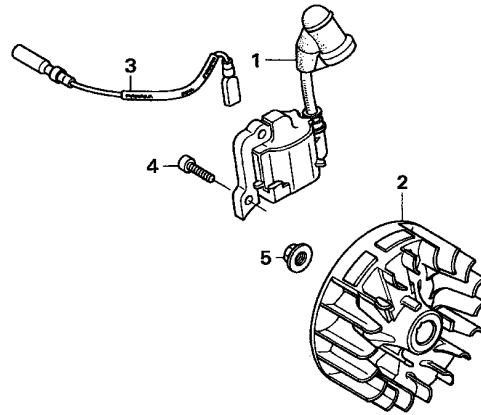
FUEL TANK

C12



Ref. No.	L.O.N.	(Relative ref. Number) Description	F.R.T.
1	3101J0	GROMMET, FUEL TUBE .....	0.2
2	3101H7	TANK, FUEL .....	0.2
6	3101A9	GUARD, TANK .....	0.1
9	3101A6	FILTER, FUEL .....	0.2
10	3101F1	TUBE, FUEL TANK .....	0.2

Ref. No.	Part No.	Description	Reqd. QTY		Serial No.	Parts catalogue code
			GX	NT		
1	17504-ZM3-003	GROMMET, FUEL TUBE .....	1			
2	17511-ZOH-023	TANK, FUEL .....	1		SAM3,SGT3,ST3,S3,W3	
3	17511-ZOH-823	TANK, FUEL .....	1		T3	
4	17519-ZM5-003	FITTING .....	2		T3	
5	17533-ZOH-000	RUBBER, TANK MOUNTING .....	3			
6	17555-ZOH-010	GUARD, TANK .....	1		SGT3,ST3	
7	17620-ZM3-053	CAP ASSY., FUEL TANK .....	1		T3	
8	17620-ZM3-816	CAP ASSY., FUEL TANK .....	1		SAM3,SGT3,ST3,S3,W3	
9	17672-ZOH-003	FILTER, FUEL .....	1			
10	17701-ZOH-003	TUBE, FUEL TANK .....	1		SAM3,SGT3,ST3,S3,W3	
11	17701-ZOH-820	TUBE, FUEL TANK .....	1		T3	
12	17702-ZOH-003	TUBE, FUEL RETURN .....	1		SAM3,SGT3,ST3,S3,W3	
13	17702-ZOH-820	TUBE, FUEL RETURN .....	1		T3	
14	17703-ZOH-820	TUBE A, FUEL .....	1		T3	
15	90010-ZOH-003	BOLT, SOCKET, 5X30 .....	2		SGT3,ST3	
16	90018-ZOH-003	BOLT, SOCKET, 5X16 .....	2		SGT3,ST3	
17	91401-ZM3-003	CLIP, TUBE .....	2		SAM3,SGT3,ST3,S3,W3	
			4		T3	
18	91501-ZOH-000	COLLAR, TANK GUARD .....	2		SGT3,ST3	

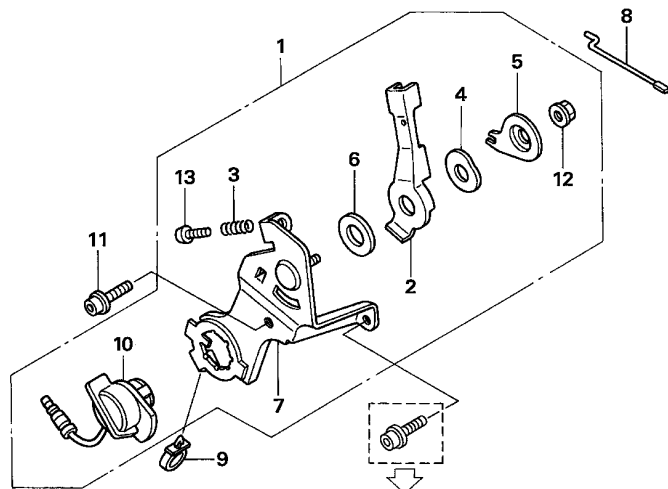


Z6J0-E1900

Ref. No.	L.O.N.	(Relative ref. Number) Description	F.R.T.
1	6141A5	COIL, IGNITION(ONE) .....	0.1
2	2161B5	FLYWHEEL .....	0.3
3	6111B3	CORD, STOP SWITCH .....	0.1

Ref. No.	Part No.	Description	Reqd. QTY		Serial No.	Parts catalogue code
			GX	NT		
1	30500-Z3E-003	COIL ASSY., IGNITION .....	1			
2	31110-Z3E-003	FLYWHEEL COMP. ....	1		----- SAM3,SGT3,ST3,S3,T3	
	31110-Z3E-811	.....	1		----- W3	
3	32195-Z0H-000	CORD, STOP SWITCH .....	1			
4	90012-Z0H-005	BOLT, SOCKET, 4X14 .....	2			
5	90355-427-770	NUT, FLANGE, 7MM .....	1			



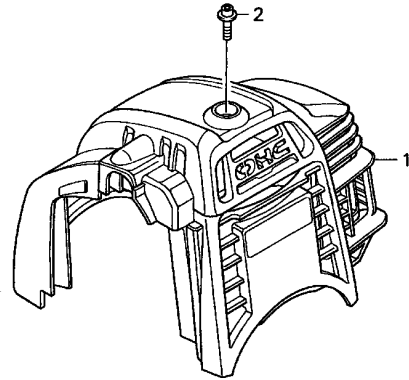


Z6J0-E2200



Ref. No.	L.O.N.	(Relative ref. Number) Description	F.R.T.
1	1161A5	CONTROL, THROTTLE/GOVERNOR ...	0.2
2	1161A8	LEVER, CONTROL .....	0.3
7	1161A2	BASE, CONTROL .....	0.3
10	6151D9	SWITCH, ENGINE STOP .....	0.1

Ref. No.	Part No.	Description	Reqd. QTY		Serial No.	Parts catalogue code
			GX	NT		
1	16500-ZOH-801	CONTROL ASSY. ....	1	-----	-----	W3
2	16571-ZOH-800	LEVER, CONTROL .....	1	-----	-----	W3
3	16571-892-000	SPRING, CONTROL ADJUSTING ...	1	-----	-----	W3
4	16574-ZE1-000	SPRING, LEVER .....	1	-----	-----	W3
5	16575-ZH8-000	WASHER, CONTROL LEVER .....	1	-----	-----	W3
6	16578-ZE1-000	SPACER, CONTROL LEVER .....	1	-----	-----	W3
7	16580-ZOH-800	BASE COMP., CONTROL .....	1	-----	-----	W3
8	17841-ZOH-800	ROD, THROTTLE .....	1	-----	-----	W3
9	30701-883-000	CLIP, HIGH TENSION CORD (8MM)	1	-----	-----	W3
10	35120-ZOD-V81	SWITCH ASSY., ENGINE STOP ...	1	-----	-----	W3
11	90011-ZOH-801	BOLT, SOCKET, 5X10 .....	1	-----	-----	W3
12	90114-SAO-000	NUT, SELF-LOCK, 6MM .....	1	-----	-----	W3
13	93500-05025-0A	SCREW, PAN, 5X25 .....	1	-----	-----	W3



Z6J0-E2700

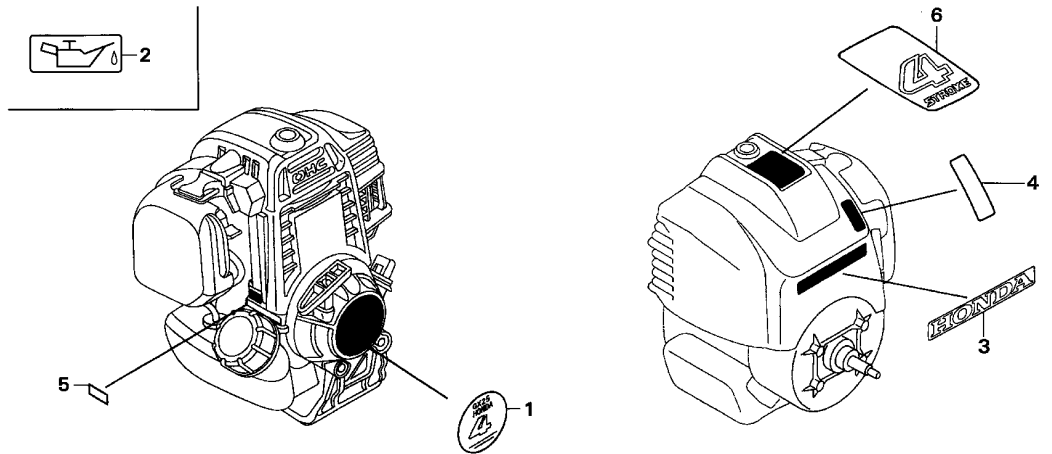


Ref. No.	L.O.N.	(Relative ref. Number) Description	F.R.T.
1	1111D6	COVER, ENGINE TOP .....	0.1

Ref. No.	Part No.	Description	Reqd. QTY		Serial No.	Parts catalogue code
			GX	NT		
1	19720-ZOH-000ZB	COVER COMP., TOP				
	*R280*	.....POWER RED	1	-----	-----	SAM3,ST3,S3,W3
	19720-ZOH-000ZC	*T92*.....STIGA YELLOW	1	-----	-----	SGT3
	19720-ZOH-800ZA	*R280*.....POWER RED	1	-----	-----	T3
2	90015-ZOH-003	BOLT, TOP COVER .....				





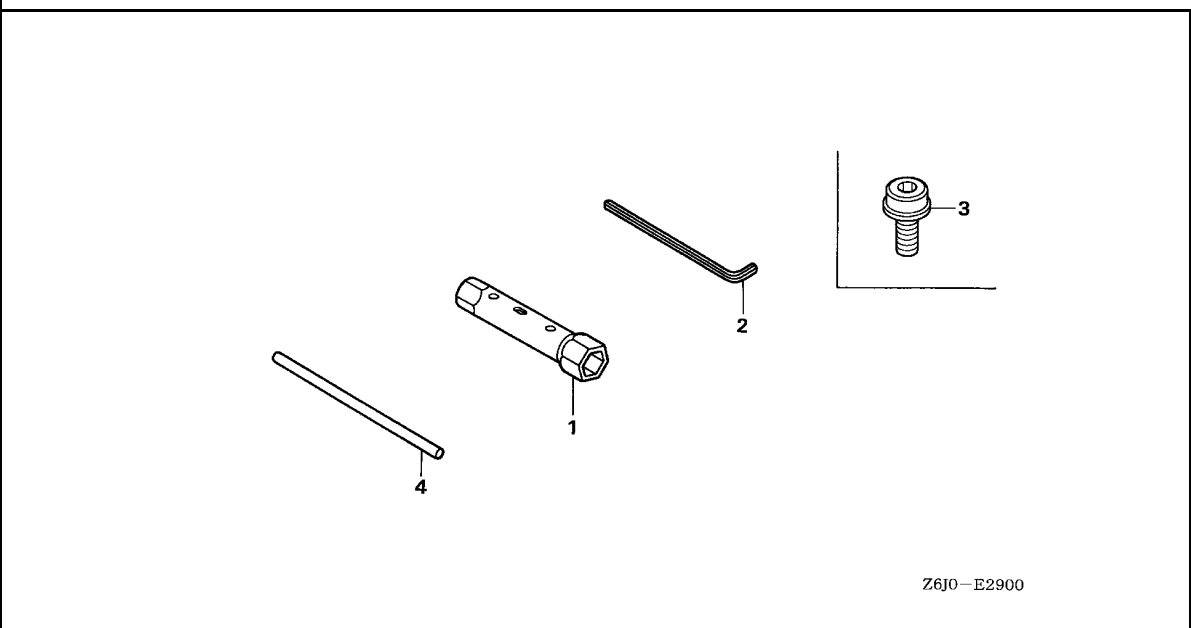


Z6J0-E2800

Ref. No.	L.O.N. (Relative ref. Number)	Description	F.R.T.
----------	-------------------------------	-------------	--------

NO INFORMATION .....

Ref. No.	Part No.	Description	Reqd. QTY		Serial No.	Parts catalogue code
			GX	NT		
1	87521-Z3E-000	MARK, EMBLEM .....	1			
2	87531-YE9-000	MARK, OIL CAUTION .....	(1)		T3,W3	
3	87531-Z0H-000	MARK, HONDA .....	1		SAM3,ST3,S3	
4	87532-ZH7-000	MARK, THROTTLE INDICATION ...	1		W3	
5	87601-Z4A-000	MARK, TYPE (S3) .....	1		S3	
	87601-Z4A-800	MARK, TYPE (ST3) .....	1		ST3	
	87601-Z4A-810	MARK, TYPE (SAM3) .....	1		SAM3	
	87601-Z4A-820	MARK, TYPE (SGT3) .....	1		SGT3	
	87601-Z4A-830	MARK, TYPE (T3) .....	1		T3	
	87601-Z4A-840	MARK, TYPE (W3) .....	1		W3	
6	87660-Z0H-000	MARK (4-STROKE) .....	1		SAM3,SGT3,ST3,S3,W3	



Z6J0-E2900

Ref. L.O.N. (Relative ref. Number) F.R.T.  
No. Description

NO INFORMATION .....

Ref. No.	Part No.	Description	Reqd. QTY	Serial No.	Parts catalogue code
			GX 25 NT		
1	89216-045-010	WRENCH, SPARK PLUG .....	(1)		
2	89221-KW3-000	WRENCH, HEX., 4MM .....	(1)		
3	90011-ZOH-811	BOLT, SOCKET, 5X9 .....	(1)	-----	SGT3,ST3,S3,T3
4	99005-01000	BAR A, HANDLE .....	(1)		



# PART NO. INDEX

E 1

Part Number	Address	Page	Ref.	Part Number	Address	Page	Ref.	Part Number	Address	Page	Ref.	Part Number	Address	Page	Ref.
10000				16025-ZM3-004	C7	21	14	19000				87000			
10100-Z3E-405	C1	15	1	16026-ZM3-004	C7	21	15	19610-ZOH-801	C6	20	1	87521-Z3E-000	C16	30	1
12000				16027-ZM3-004	C7	21	16	19611-ZOH-000	C6	20	2	87531-YE9-000	C16	30	2
12209-Z3E-000	C4	18	1	16028-ZM3-004	C7	21	17	19631-ZOH-000	C8	22	27	87531-ZOH-000	C16	30	3
12310-ZOH-010	C1	15	2	16029-ZM3-004	C7	21	18	19632-ZOH-800	C8	22	28	87532-ZH7-000	C16	30	4
12312-ZOH-300	C1	15	3	16030-ZM3-004	C7	21	19	19720-ZOH-000ZB	C15	29	1	87601-Z4A-000	C16	30	5
12314-ZOH-300	C1	15	4	16031-ZM3-004	C7	21	20	19720-ZOH-000ZC	C15	29	1	87601-Z4A-800	C16	30	5
12367-ZOH-000	C1	15	5	16032-ZM3-004	C7	21	21	19720-ZOH-000ZA	C15	29	1	87601-Z4A-810	C16	30	5
13000				16035-ZM3-802	C7	21	22	22000-ZOH-U61	C6	20	3	87601-Z4A-820	C16	30	5
13010-ZOH-000	C3	17	1	16100-ZOH-043	C7	21	23	22000-ZM3-003	C6	20	3	87601-Z4A-830	C16	30	5
13101-ZOH-000	C3	17	2	16100-ZOH-825	C7	21	23	22253-Z3E-000	C6	20	4	87601-Z4A-840	C16	30	5
13111-ZOH-000	C3	17	3	16100-ZOH-844	C7	21	23	22253-Z3E-U60	C6	20	4	87660-ZOH-000	C16	30	6
13310-ZOH-020	C3	17	4	16221-ZOH-000	C8	22	25	22254-Z3E-000	C6	20	5	89000			
13310-ZOH-801	C3	17	4	16221-ZM3-000	C8	22	24	22254-Z3E-U60	C6	20	5	89216-045-010	D1	31	1
14000				16222-ZOH-800	C8	22	26	22255-Z3E-000	C6	20	6	89221-KW3-000	D1	31	2
14126-ZOH-003	C4	18	2	16500-ZOH-801	C14	28	1	22255-Z3E-U60	C6	20	6	90000			
14320-ZOH-010	C4	18	3	16571-892-000	C14	28	3	28000				90001-ZOH-003	C11	25	6
14400-ZOH-003	C4	18	4	16571-ZOH-800	C14	28	2	28400-ZOH-003	C5	19	1	90009-ZOH-003	C1	15	16
14431-ZOH-003	C1	15	6	16574-ZE1-000	C14	28	4	28414-ZOH-003	C5	19	2	90010-ZOH-003	C6	20	8
14441-ZOH-003	C1	15	7	16575-ZH8-000	C14	28	5	28421-ZOH-003	C5	19	3	90011-ZOH-003	C1	15	17
14711-ZOH-800	C4	18	5	16578-ZE1-000	C14	28	6	28433-ZM3-003	C5	19	4	90011-ZOH-801	C14	28	11
14721-ZOH-800	C4	18	6	16580-ZOH-800	C14	28	7	28442-ZOH-003	C5	19	5	90011-ZOH-811	D1	31	3
14730-ZOH-000	C1	15	8	17000				28451-ZOH-003	C5	19	6	90012-ZOH-005	C13	27	4
14740-ZOH-000	C1	15	9	17204-ZOH-000	C9	23	1	28459-ZOH-003	C5	19	7	90012-ZM3-003	C5	19	10
14751-ZOH-000	C4	18	7	17204-ZOH-800	C10	24	1	28461-ZM3-003	C5	19	8	90013-ZOH-004	C1	15	18
14771-ZOH-000	C4	18	8	17211-ZOH-000	C9	23	2	28462-ZM3-003	C5	19	9	90014-ZOH-003	C8	22	29
15000				17211-ZOH-800	C10	24	2	30000				90014-ZOH-801	C8	22	29
15422-ZOH-000	C1	15	10	17220-ZOH-000	C9	23	3	30500-Z3E-003	C13	27	1	90015-ZOH-003	C15	29	2
15510-Z3E-000	C1	15	11	17220-ZOH-802	C10	24	3	30701-883-000	C14	28	9	90017-ZOH-000	C1	15	19
15600-ZOT-800	C1	15	12	17231-ZOH-000	C9	23	4	31000				90018-ZOH-003	C5	19	11
15625-ZOT-800	C1	15	13	17231-ZOH-801	C10	24	4	31110-Z3E-003	C13	27	2	90019-ZOH-003	C1	15	20
15721-ZOH-000	C1	15	14	17231-ZOH-801	C10	24	4	31110-Z3E-811	C13	27	2	90055-ZE1-000	C11	25	8
15721-ZOH-800	C1	15	14	17231-ZOH-801	C10	24	4	31114-ZOH-003	C1	15	15	90114-SA0-000	C14	28	12
15721-ZOH-820	C1	15	14	17231-ZOH-801	C10	24	4	31914-ZOH-003	C1	15	15	90136-SM4-901	C11	25	9
16000				17231-ZOH-801	C10	24	4	31915-ZOH-003	C1	15	15	90206-ZM3-000	C1	15	21
16010-ZM3-004	C7	21	1	17231-ZOH-801	C10	24	4	31916-ZOH-003	C1	15	15	90355-427-770	C13	27	5
16011-ZOH-013	C7	21	2	17231-ZOH-801	C10	24	4	32000				91000			
16013-ZOH-003	C7	21	3	17504-ZM3-003	C12	26	1	32195-ZOH-000	C13	27	3	91211-Z3E-000	C3	17	5
16014-ZM3-004	C7	21	4	17504-ZM3-003	C12	26	1	35000				91212-Z3E-000	C3	17	6
16015-ZOH-013	C7	21	5	17511-ZOH-023	C12	26	2	35120-ZOH-V81	C14	28	10	91301-ZM3-000	C8	22	31
16017-ZM3-004	C7	21	6	17511-ZOH-823	C12	26	3	40000				91308-Z3E-000	C8	22	32
16018-ZM3-802	C7	21	7	17511-ZOH-823	C12	26	3	40210-ZOH-800	C6	20	7	91401-ZM3-003	C12	26	17
16019-ZM3-004	C7	21	8	17519-ZM5-003	C12	26	4					91501-ZOH-000	C12	26	18
16020-ZM3-004	C7	21	9	17533-ZOH-000	C12	26	5					91504-ZM3-003	C5	19	12
16021-ZM3-004	C7	21	10	17555-ZOH-010	C12	26	6					91506-ZM3-000	C5	19	13
16022-ZM3-014	C7	21	11	17620-ZM3-053	C12	26	7								
16023-ZM3-004	C7	21	12	17620-ZM3-816	C12	26	8								
16024-ZOH-003	C7	21	13	17672-ZOH-003	C12	26	9								
				17701-ZOH-003	C12	26	10								
				17701-ZOH-820	C12	26	11								
				17702-ZOH-003	C12	26	12								
				17702-ZOH-820	C12	26	13								
				17703-ZOH-820	C12	26	14								
				17841-ZOH-800	C14	28	8								
				18000											
				18310-ZOH-800	C11	25	1								
				18310-ZOH-840	C11	25	2								
				18350-ZOH-800	C11	25	3								
				18350-ZOH-820	C11	25	4								
				18515-ZOH-000	C11	25	5								

# PART NAME INDEX

F 1

Part name	Address	Page	Ref.	Part name	Address	Page	Ref.	Part name	Address	Page	Ref.		
[ A ]								[ N ]					
ARM, EX. VALVE ROCKER .....	C1	15	7	COVER, CYLINDER HEAD .....	C1	15	2	NUT, FLANGE, 5MM .....	C9	23	5		
ARM, IN. VALVE ROCKER .....	C1	15	6	COVER, FAN .....	C6	20	2	NUT, FLANGE, 7MM .....	C10	24	5		
ARM, SWING .....	C5	19	7	COVER, PRIMER PUMP .....	C7	21	15	NUT, SELF-LOCK, 5MM .....	C13	27	5		
ARRESTER COMP., SPARK .....	C11	25	3	CRANKCASE SET .....	C1	15	1	NUT, SELF-LOCK, 6MM .....	C14	28	12		
			4	CRANKSHAFT COMP. ....	C3	17	4	NUT, TAPPET ADJUSTING .....	C1	15	21		
[ B ]				[ D ]									
BAR A, HANDLE .....	D1	31	4	DIAPHRAGM ASSY., METERING .....	C7	21	3						
BASE COMP., CONTROL .....	C14	28	7	DIAPHRAGM, PUMP .....	C7	21	4						
BEARING, RADIAL BALL, 6001UU ..	C6	20	10	[ E ]									
BELT, TIMING .....	C4	18	4	ELEMENT, AIR CLEANER .....	C9	23	2						
BODY ASSY., AIR PURGE .....	C7	21	6		C10	24	2						
BODY ASSY., PUMP .....	C7	21	5	[ F ]									
BOLT, 5X53 .....	C8	22	29	FILTER, BREATHER .....	C1	15	5						
BOLT, 5X59 .....	C8	22	29	FILTER, FUEL .....	C12	26	9						
BOLT, CLUTCH .....	C6	20	4	FILTER, FUEL INLET .....	C7	21	22						
BOLT, FLANGE, 6X22 .....	C6	20	9	FITTING .....	C12	26	4						
BOLT, SOCKET, 4X14 .....	C13	27	4	FLYWHEEL COMP. ....	C13	27	2						
BOLT, SOCKET, 5X10 .....	C11	25	7	[ G ]									
	C14	28	11	GASKET, METERING DIAPHRAGM .....	C7	21	1						
BOLT, SOCKET, 5X12 .....	C1	15	20	GASKET, PUMP .....	C7	21	2						
BOLT, SOCKET, 5X16 .....	C5	19	11	GROMMET, FUEL TUBE .....	C12	26	1						
	C8	22	30	GROMMET, HEAD COVER .....	C1	15	4						
	C12	26	16	GUARD, TANK .....	C12	26	6						
BOLT, SOCKET, 5X20 .....	C1	15	16	GUIDE, AIR EX. ....	C11	25	5						
	C6	20	8	GUIDE, ROPE .....	C5	19	4						
BOLT, SOCKET, 5X30 .....	C1	15	17	[ J ]									
	C12	26	15	JET .....	C8	22	33						
BOLT, SOCKET, 5X9 .....	D1	31	3	[ K ]									
BOLT, STUD, 2.5X42 .....	C11	25	6	KNOB, RECOIL STARTER .....	C5	19	8						
BOLT, TOP COVER .....	C15	29	2	[ L ]									
[ C ]													
CAP ASSY., FUEL TANK .....	C12	26	7	LEVER, CONTROL .....	C14	28	2						
			8	LEVER, METERING .....	C7	21	12						
CAP ASSY., OIL FILLER .....	C1	15	12	LIFTER COMP., EX. VALVE .....	C1	15	9						
CARBURETOR ASSY. ....	C7	21	23	LIFTER COMP., IN. VALVE .....	C1	15	8						
CASE COMP., AIR CLEANER .....	C9	23	3	[ M ]									
	C10	24	3	MARK .....	C16	30	6						
CASE, RECOIL STARTER .....	C5	19	2	MARK, EMBLEM .....	C16	30	1						
CLAMP, TUBE .....	C2	16	24	MARK, HONDA .....	C16	30	3						
			25	MARK, OIL CAUTION .....	C16	30	2						
CLIP, HIGH TENSION CORD .....	C14	28	9	MARK, THROTTLE INDICATION .....	C16	30	4						
CLIP, TUBE .....	C12	26	17	MARK, TYPE .....	C16	30	5						
CLUTCH ASSY. ....	C6	20	3	MUFFLER COMP. ....	C11	25	1						
COIL ASSY., IGNITION .....	C13	27	1		C10	24	4						
COLLAR .....	C5	19	12	[ R ]									
COLLAR A, HEAD COVER .....	C5	19	13	REEL, RECOIL STARTER .....	C5	19	3						
COLLAR, TANK GUARD .....	C12	26	18	RETAINER, VALVE SPRING .....	C4	18	8						
CONTROL ASSY. ....	C14	28	1	RING SET, PISTON .....	C3	17	1						
CORD, STOP SWITCH .....	C13	27	3	RING, RETAINING .....	C7	21	13						
COVER COMP., FAN .....	C6	20	1	ROD, THROTTLE .....	C14	28	8						
COVER COMP., TOP .....	C15	29	1	ROLLER, 4X29.8 .....	C4	18	2						
COVER, AIR CLEANER .....	C9	23	4	ROPE, RECOIL STARTER .....	C5	19	9						
	C10	24	4	RUBBER, TANK MOUNTING .....	C12	26	5						
[ S ]													
								SCREEN, INLET .....	C7	21	7		
								SCREW, METERING LEVER PIN .....	C7	21	10		
								SCREW, PAN, 4X8 .....	C1	15	18		
								SCREW, PAN, 5X25 .....	C14	28	13		
								SCREW, PUMP COVER .....	C7	21	18		
								SCREW, SETTING .....	C5	19	10		
								SCREW, TAPPET ADJUSTING .....	C1	15	19		
								SCREW, TAPPING, 3X6 .....	C11	25	10		
								SCREW, TAPPING, 4X12 .....	C2	16	22		
								SCREW, TAPPING, 4X6 .....	C11	25	8		
								SCREW, THROTTLE COLLAR .....	C7	21	17		

# PART NAME INDEX

Part name	Address	Page	Ref.	Part name	Address	Page	Ref.	Part name	Address	Page	Ref.
SEAL, HEAD COVER .....	C1	15	3								
SEAL, VALVE STEM .....	C4	18	1								
SHAFT COMP., P.T.O. ....	C6	20	7								
SHROUD .....	C8	22	27								
SPACER, CONTROL LEVER .....	C14	28	6								
SPACER, SHROUD .....	C8	22	28								
SPRING, CONTROL ADJUSTING ....	C14	28	3								
SPRING, LEVER .....	C14	28	4								
SPRING, METERING LEVER .....	C7	21	9								
SPRING, PUMP .....	C7	21	19								
SPRING, RECOIL STARTER .....	C5	19	5								
SPRING, VALVE .....	C4	18	7								
STARTER ASSY., RECOIL .....	C5	19	1								
SWITCH ASSY., ENGINE STOP ....	C14	28	10								
SWIVEL .....	C7	21	16								
[ T ]											
TANK, FUEL .....	C12	26	2								
			3								
TUBE A, FUEL .....	C12	26	14								
TUBE, BREATHER .....	C1	15	14								
TUBE, FUEL RETURN .....	C12	26	12								
			13								
TUBE, FUEL TANK .....	C12	26	10								
			11								
TUBE, OIL .....	C1	15	10								
[ V ]											
VALVE, EX. ....	C4	18	6								
VALVE, INLET NEEDLE .....	C7	21	8								
VALVE, IN. ....	C4	18	5								
[ W ]											
WASHER .....	C7	21	20								
WASHER, CLUTCH .....	C6	20	5								
WASHER, CONTROL LEVER .....	C14	28	5								
WASHER, WAVE .....	C6	20	6								
WRENCH, HEX., 4MM .....	D1	31	2								
WRENCH, SPARK PLUG .....	D1	31	1								



---

**1**

**FOREWORD INDEX**

---

**2**

**ENGINE GROUP**

---

**3**

**PART NUMBER INDEX**

---

**4**

**PART NAME INDEX**

---

**HONDA**  
The Power of Dreams





# PARTS CATALOGUE NEWS

Honda Motor Co., Ltd. Service Division

## PARTS CATALOGUE - CORRECTED

Printed in Japan

CODE NO.	BOOKLET TYPE	13Z6J601
	MICRO-FICHE	13Z6J6EA/FA
PARTS CATALOGUE TITLE	GX25NT	
NEWS NO.	001	

Block No.	Ref. No.	Note	Part No.	Description	Reqd. QTY	Serial No.	Parts catalogue code
					GX 25 NT		
E-19	3	T	32195-Z0H-000	CORD, STOP SWITCH .....	1	-----	SAM3, SGT3, ST3, S3, T3
		D	32195-Z0H-800	.....	1	-----	W3

NOTE A:PART NO. CHANGE D:NEWLY PROVIDED E:PART NO.DELETION K:REQUIRED NO. CORRECTION L:APPLICATION SERIAL NO. CORRECTION  
T:APPLICATION CORRECTION Z:REMARKS CHANGE



# PARTS CATALOGUE NEWS

Honda Motor Co., Ltd. Service Division

## PARTS CATALOGUE - CORRECTED

Printed in Japan

CODE NO.	BOOKLET TYPE	13Z6J601
	MICRO-FICHE	13Z6J6EA/FA
PARTS CATALOGUE NEWS	GX25NT	
NEWS NO.	002	

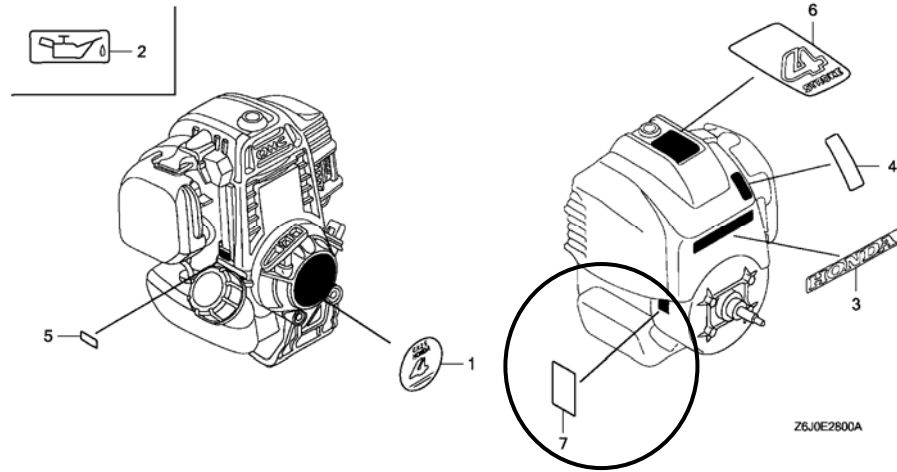
Block No.	Ref. No.	Note	Part No.	Description	Reqd. QTY	Serial No.	Parts catalogue code
					GX 25 NT		
E-2	18		90013-Z0H-004	SCREW, PAN, 4X8 .....	2	----- 1002508	
		A	90013-Z3E-003	.....	2	1002509	
E-7	5		91211-Z3E-000	OIL SEAL, 12X24X5 .....	1	----- 1002508	
		A	91211-Z3E-003	.....	1	1002509	
	6		91212-Z3E-000	OIL SEAL, 10X20X5 .....	1	----- 1002508	
		A	91212-Z3E-003	.....	1	1002509	
E-10	1		12209-Z3E-000	SEAL, VALVE STEM .....	1	----- 1002508	
		A	12209-Z3E-003	.....	1	1002509	
	4		14400-Z0H-003	BELT, TIMING (71ZU6 G-300) ...	1	----- 1002508	
		A	14400-Z3E-003	.....	1	1002509	
E-19	4		90012-Z0H-005	BOLT, SOCKET, 4X14 .....	2	----- 1002508	
		A	90012-Z3E-003	.....	2	1002509	

NOTE A:PART NO. CHANGE D:NEWLY PROVIDED E:PART NO.DELETION K:REQUIRED NO. CORRECTION L:APPLICATION SERIAL NO. CORRECTION  
T:APPLICATION CORRECTION Z:REMARKS CHANGE

PARTS CATALOGUE NEWS

BOOKNo. : 13Z6J601

Block No.	Ref. No.	Note	Part No.	Description	Reqd. QTY	Serial No.	Parts catalogue code
					GX 25 NT		
E-28			LABEL				



E-28	7	D	87114-Z3E-000	LABEL, WARNING (NOT CERTIFIED FOR SALE)	1	1000485	
------	---	---	---------------	--	---	---------	--

NOTE A:PART NO. CHANGE D:NEWLY PROVIDED E:PART NO.DELETION K:REQUIRED NO. CORRECTION L:APPLICATION SERIAL NO. CORRECTION  
T:APPLICATION CORRECTION Z:REMARKS CHANGE



# PARTS CATALOGUE NEWS

Honda Motor Co., Ltd. Service Division

## PARTS CATALOGUE - CORRECTED

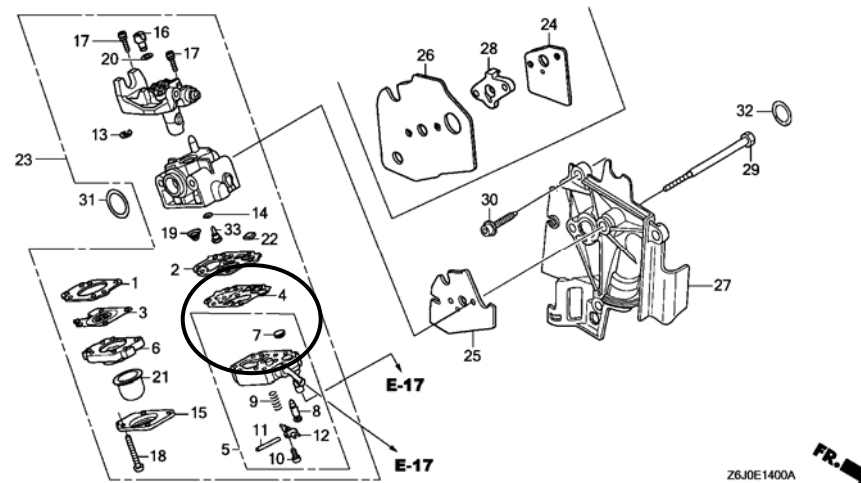
Printed in Japan

CODE NO.	BOOKLET TYPE	13Z6J601
	MICRO-FICHE	13Z6J6EA/FA
PARTS CATALOGUE NEWS	GX25NT	
NEWS NO.	003	

Block No.	Ref. No.	Note	Part No.	Description	Reqd. QTY GX 25 NT	Serial No.	Parts catalogue code
-----------	----------	------	----------	-------------	-----------------------------	------------	----------------------

E-14 CARBURETOR

**ILLUSTRATION CORRECTED**



NOTE A:PART NO. CHANGE D:NEWLY PROVIDED E:PART NO.DELETION K:REQUIRED NO. CORRECTION L:APPLICATION SERIAL NO. CORRECTION  
T:APPLICATION CORRECTION Z:REMARKS CHANGE



# PARTS CATALOGUE NEWS

Honda Motor Co., Ltd. Service Division

Printed in Japan

November 19, 2006

CODE NO.	BOOKLET TYPE	13Z6J601
	MICRO- FICHE	13Z6J6EA/FA
PARTS CATALOGUE NEWS	GX25NT	
NEWS NO.	004	

## GX25NT-SGT9 TYPE sales information

NOTE: This Parts Catalogue News explains only the parts of the different model that are produced to conform to addition of the GX25NT-SGT9 type.

As for the parts not listed on this Parts Catalogue News, use the parts of the GX25NT-SGT3 type.

**• Models, parts catalogue codes and applicable serial numbers**

Model	Type		Parts catalogue type	Applicable engine serial No.	Applicable carburetor identification No.
GX25NT	SGT3	Base type	SGT3	GCART-1000001~	WYB 6D
	SGT9	Additional type	SGT9		

**• Features of each type**

		Base type	Additional type
Specifications	Model	GX25NT	
	Type	SGT3	SGT9
P.T.O. Shaft			
Tank guard		●	●
Control			

## PARTS CATALOGUE NEWS

BOOKNo. : 13Z6J601

Block No.	Ref. No.	Part No.	Description	Reqd. QTY	Base Part No.	Parts catalogue code
				GX 25 NT		
E-17	2	17511-Z6J-003	TANK, FUEL .....	1	17511-Z0H-023	
E-27	1	19720-Z0H-000ZD	COVER COMP., TOP *T100*..... EMAK RED	1	19720-Z0H-000ZC	
		19720-Z0H-000ZE	*T101*..... EMAK ORANGE	1		
E-28	1		MARK, EMBLEM .....	0	87521-Z3E-000	
	5	87601-Z4A-850	MARK, TYPE (SGT9) .....	1	87601-Z4A-820	
	6		MARK (4-STROKE) .....	0	87660-Z0H-000	



# PARTS CATALOGUE NEWS

Honda Motor Co., Ltd. Service Division

February 12, 2007

CODE NO.	BOOKLET TYPE	13Z6J601
	MICRO- FICHE	13Z6J6EA/FA
PARTS CATALOGUE NEWS	GX25NT	
NEWS NO.	005	

Printed in Japan

## GX25NT-SMTD TYPE sales parts information

NOTE: This Parts Catalogue News explains only the parts of the different model that are produced to conform to addition of the GX25NT-SMTD type.

As for the parts not listed on this Parts Catalogue News, use the parts of the GX25NT-ST3 type.

- Models, parts catalogue codes and applicable serial numbers

Model	Type		Parts catalogue type	Applicable engine serial No.	Applicable carburetor identification No.
GX25NT	ST3	Base type	ST3	GCART-1000001~	WYB 6D
	SMTD	Additional type	SMTD		



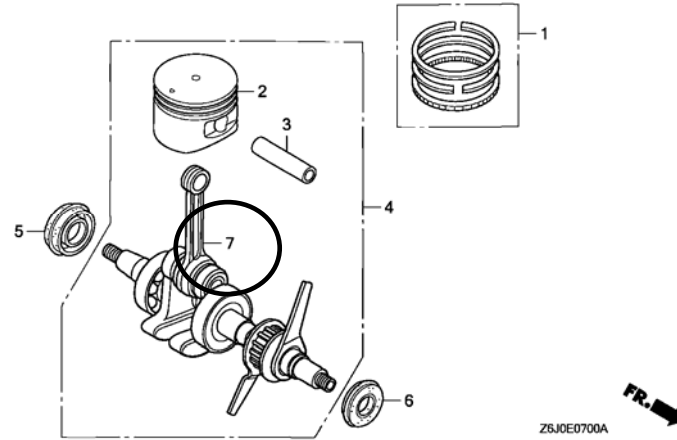
• Features of each type		Base type	Additional type
Specifications	Model	GX25NT	
	Type	ST3	SMTD
P.T.O. Shaft			
Tank guard		●	●
Control			

BOOKNo. : 13Z6J601

Block No.	Ref. No.	Part No.	Description	Reqd. QTY GX 25 NT	Base Part No.	Parts catalogue code
-----------	----------	----------	-------------	-----------------------------	---------------	----------------------

**E-7 CRANKSHAFT/PISTON**

Ref. No.	(Relative ref. Number)	Description	FRT
4	1101R3	CRANKSHAFT ASSEMBLY .....	1.2
7	1101FO	CRANKSHAFT .....	1.4



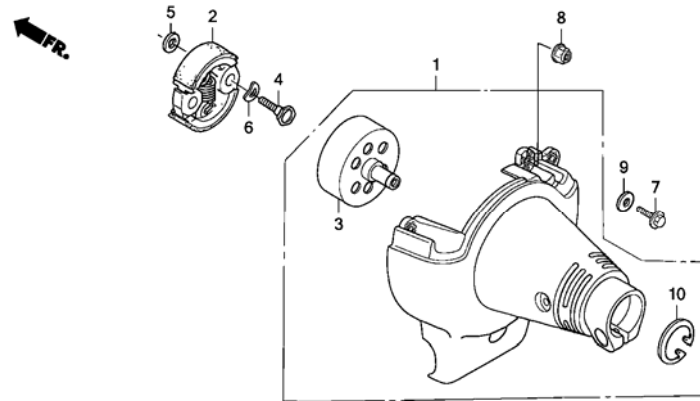
E-7	7	13310-Z0H-305	CRANKSHAFT COMP. ....	(1)		
E-12	2		COVER, FAN .....	0	19611-Z0H-000	
	3		CLUTCH ASSY. ....	0	22000-ZM3-003	
	4		BOLT, CLUTCH (6MM) .....	0	22253-Z3E-000	
	5		WASHER, CLUTCH (6X15) .....	0	22254-Z3E-000	
	6		WASHER, WAVE (8MM) .....	0	22255-Z3E-000	
	8		BOLT, SOCKET, 5X20 .....	0	90009-Z0H-003	

BOOKNo. : 13Z6J601

Block No.	Ref. No.	Part No.	Description	Reqd. QTY	Base Part No.	Parts catalogue code
				GX 25 NT		

E-12-1 FAN COVER/CLUTCH (2)

Ref. No.	(Relative ref. Number)	Description	FRT
1	1141G8	COVER, ENGINE COOLING FAN . . . .	0.1
2	2121F7	CLUTCH, CENTRIFUGAL . . . . .	0.3
3	2121C0	OUTER, CLUTCH . . . . .	0.3



Z6J0E1201

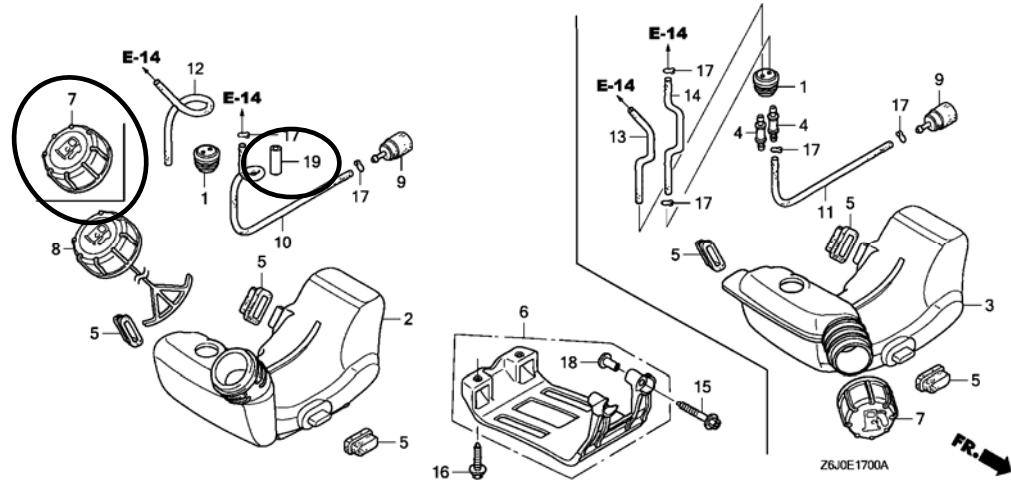
E-12-1	1	19600-Z0H-J21	COVER ASSY., FAN . . . . .	1
	2	22000-ZM3-003	CLUTCH ASSY. . . . .	1
	3	22100-Z0H-J20	OUTER COMP., CLUTCH . . . . .	1
	4	22253-Z3E-000	BOLT, CLUTCH (6MM) . . . . .	2
	5	22254-Z3E-000	WASHER, CLUTCH (6X15) . . . . .	2
	6	22255-Z3E-000	WASHER, WAVE (8MM) . . . . .	2
	7	90009-Z0H-003	BOLT, SOCKET, 5X20 . . . . .	3
	8	90201-Z0H-J00	NUT, SPECIAL, 4MM . . . . .	1
	9	94101-05000	WASHER, PLAIN, 5MM . . . . .	3
	10	94510-10000	CIRCLIP, EXTERNAL, 10MM . . . . .	1

PARTS CATALOGUE NEWS

BOOKNo. : 13Z6J601

Block No.	Ref. No.	Part No.	Description	Reqd. QTY GX 25 NT	Base Part No.	Parts catalogue code
-----------	----------	----------	-------------	-----------------------------	---------------	----------------------

E-17 FUEL TANK

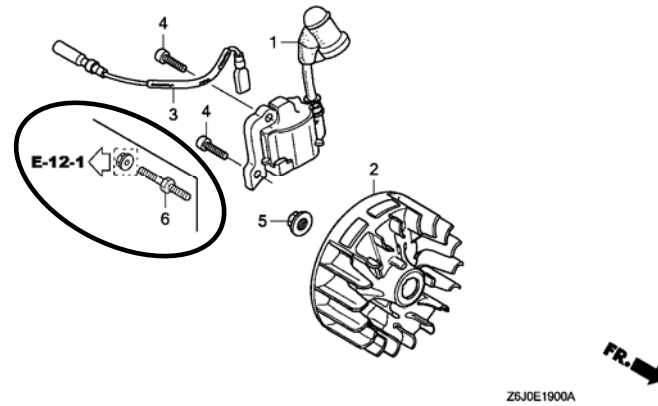


E-17	2	17511-Z6J-003	TANK, FUEL .....	1	17511-Z0H-023	
	7	17620-ZM3-053	CAP ASSY., FUEL TANK .....	1		
	8		CAP ASSY., FUEL TANK .....	0	17620-ZM3-816	
	19	16865-Z6J-000	PROTECTOR, TUBE .....	1		

PARTS CATALOGUE NEWS

BOOKNo. : 13Z6J601

Block No.	Ref. No.	Part No.	Description	Reqd. QTY GX 25 NT	Base Part No.	Parts catalogue code
E-19		FLYWHEEL				



E-19	4	90012-Z3E-003	BOLT, SOCKET, 4X14 .....	1	90012-Z3E-003	
	6	90101-Z0H-J00	BOLT, SPECIAL STUD, 4MM .....	1		
E-28	1	87521-Z3E-010	MARK, EMBLEM .....	1	87521-Z3E-000	
	5	87601-Z6J-V30	MARK, TYPE (SMTD) .....	1	87601-Z4A-800	
E-29	3		BOLT, SOCKET, 5X9 .....	(0)	90011-Z0H-811	



# PARTS CATALOGUE NEWS

Honda Motor Co., Ltd. Service Division

Printed in Japan

CODE NO.	BOOKLET TYPE	13Z6J601
	MICRO- FICHE	13Z6J6EA/FA
PARTS CATALOGUE NEWS	GX25NT	
NEWS NO.	006	

## GX25NT-SATM TYPE sales parts information

NOTE: This Parts Catalogue News explains only the parts of the different model that are produced to conform to addition of the GX25NT- SATM type.

As for the parts not listed on this Parts Catalogue News, use the parts of the GX25NT-SAM3 type.

• Models, parts catalogue codes and applicable serial numbers

Model	Type		Parts catalogue type	Applicable engine serial No.	Applicable carburetor identification No.
GX25NT	SAM3	Base type	SAM3	GCART-1000001~	WYB 6D
	SATM	Additional type	SATM		

• Features of each type

	Base type	Additional type
Model	GX25NT	
Specifications	SAM3	SATM
P.T.O. Shaft		
Tank guard		●
Control		

## PARTS CATALOGUE NEWS

BOOKNo. : 13Z6J601

Block No.	Ref. No.	Part No.	Description	Reqd. QTY	Base Part No.	Parts catalogue code
				GX 25 NT		
E-2	14	15721-Z0H-000	TUBE, BREATHER .....	1	15721-Z0H-800	
E-7	7	13310-Z0H-305	CRANKSHAFT COMP. ....	(1)		
E-11	11	90018-Z0H-003	BOLT, SOCKET, 5X16 .....	1	90018-Z0H-003	
E-12	3	22000-ZM3-003	CLUTCH ASSY. ....	1	22000-Z0H-U61	
	4	22253-Z3E-000	BOLT, CLUTCH (6MM) .....	2	22253-Z3E-U60	
	5	22254-Z3E-000	WASHER, CLUTCH (6X15) .....	2	22254-Z3E-U60	
	6	22255-Z3E-000	WASHER, WAVE (8MM) .....	2	22255-Z3E-U60	
E-14	24		PACKING, CARBURETOR .....	0	16221-ZM3-000	
	25	16221-Z0H-000	PACKING, CARBURETOR .....	1		
	26		PACKING, SHROUD .....	0	16222-Z0H-800	
	28		SPACER, SHROUD .....	0	19632-Z0H-800	
	29	90014-Z0H-003	BOLT, 5X53 .....	2	90014-Z0H-801	
E-16	1		MUFFLER COMP. ....	0	18310-Z0H-800	
	2	18310-Z0H-840	MUFFLER COMP. (ARRESTER) .....	1		
	3		ARRESTER COMP., SPARK .....	0	18350-Z0H-800	
	4	18350-Z0H-820	ARRESTER COMP., SPARK .....	1		
	8		SCREW, TAPPING, 4X6 .....	0	90055-ZE1-000	
	10	93901-22010	SCREW, TAPPING, 3X6 .....	1		
E-17	2	17511-Z6J-003	TANK, FUEL .....	1	17511-Z0H-023	
	6	17555-Z0H-010	GUARD, TANK .....	1		
	15	90010-Z0H-003	BOLT, SOCKET, 5X30 .....	2		
	16	90018-Z0H-003	BOLT, SOCKET, 5X16 .....	2		
	18	91501-Z0H-000	COLLAR, TANK GUARD .....	2		
	19	16865-Z6J-000	PROTECTOR, TUBE .....	1		



## PARTS CATALOGUE NEWS

BOOKNo. : 13Z6J601

Block No.	Ref. No.	Part No.	Description	Reqd. QTY	Base Part No.	Parts catalogue code
				GX 25 NT		
E-27	1	19720-Z0H-800ZA	COVER COMP., TOP *R280*..... POWER RED	1	19720-Z0H-000ZB	
E-28	1	87521-Z3E-010	MARK, EMBLEM .....	1	87521-Z3E-000	
	5	87601-Z0H-V20	MARK, TYPE (SATM) .....	1	87601-Z4A-810	
E-29	3	90011-Z0H-811	BOLT, SOCKET, 5X9 .....	(1)		



# PARTS CATALOGUE NEWS

Honda Motor Co., Ltd. Service Division

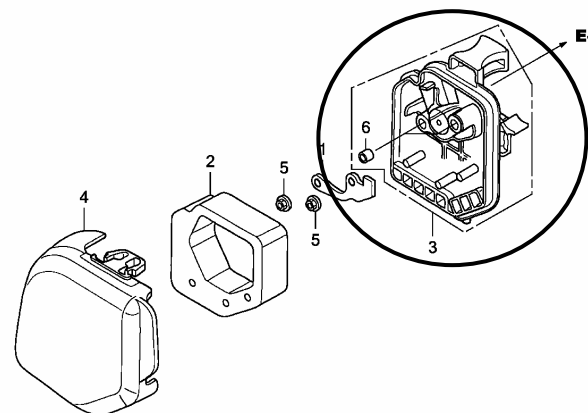
## PARTS CATALOGUE - CORRECTED

Printed in Japan

CODE NO.	BOOKLET TYPE	13Z6J601
	MICRO-FICHE	13Z6J6EA/FA
PARTS CATALOGUE NEWS	GX25NT	
NEWS NO.	007	

Block No.	Ref. No.	Note	Part No.	Description	Reqd. QTY GX 25 NT	Serial No.	Parts catalogue code
-----------	----------	------	----------	-------------	-----------------------------	------------	----------------------

E-15      AIR CLEANER (1)



Z6J0E1500A



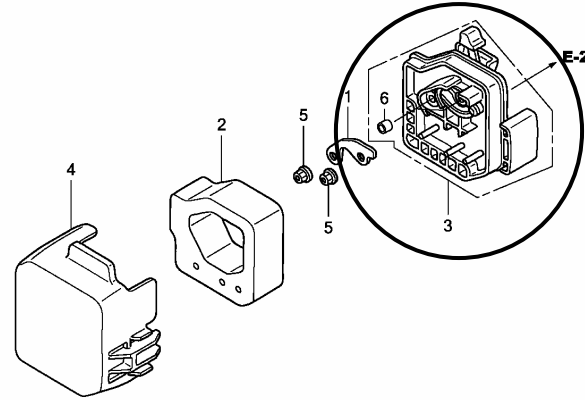
E-15	6	D	91503-ZM3-000	COLLAR, AIR CLEANER .....	2	-----	SAM3, SATM, SGT3, SGT9, SMTD, ST3, S3, W3
------	---	---	---------------	---------------------------	---	-------	---

NOTE A:PART NO. CHANGE D:NEWLY PROVIDED E:PART NO.DELETION K:REQUIRED NO. CORRECTION L:APPLICATION SERIAL NO. CORRECTION  
T:APPLICATION CORRECTION Z:REMARKS CHANGE

PARTS CATALOGUE NEWS

BOOKNo. : 13Z6J601

Block No.	Ref. No.	Note	Part No.	Description	Reqd. QTY GX 25 NT	Serial No.	Parts catalogue code
E-15-1			AIR CLEANER (2)				



Z6J0E1501A



E-15-1	6	D	91503-ZM3-000	COLLAR, AIR CLEANER .....	2	-----	T3
--------	---	---	---------------	---------------------------	---	-------	----

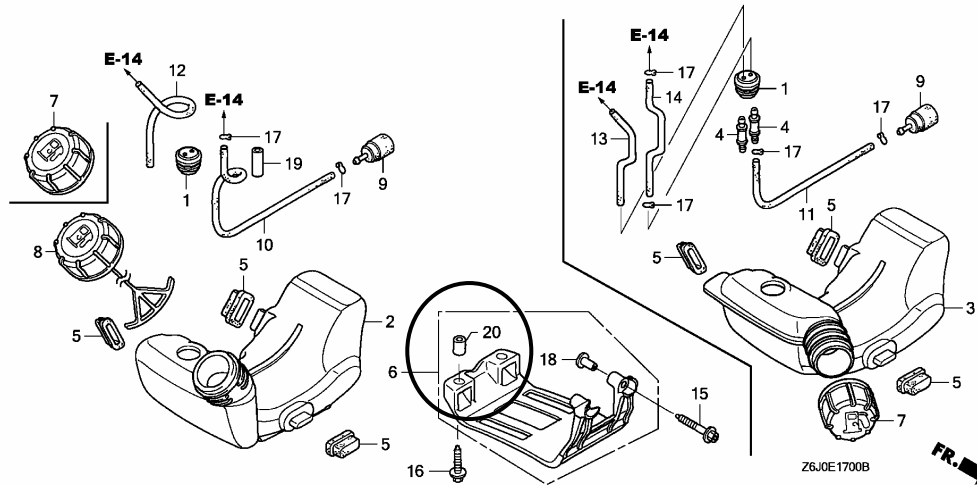
NOTE A:PART NO. CHANGE D:NEWLY PROVIDED E:PART NO.DELETION K:REQUIRED NO. CORRECTION L:APPLICATION SERIAL NO. CORRECTION  
T:APPLICATION CORRECTION Z:REMARKS CHANGE

PARTS CATALOGUE NEWS

BOOKNo. : 13Z6J601

Block No.	Ref. No.	Note	Part No.	Description	Reqd. QTY	Serial No.	Parts catalogue code
					GX 25 NT		

E-17 FUEL TANK



E-17	20	D	91506-ZM3-000	COLLAR A, HEAD COVER .....	2	-----	SATM, SGT3, SGT9, SMTD, ST3
------	----	---	---------------	----------------------------	---	-------	-----------------------------

NOTE A:PART NO. CHANGE D:NEWLY PROVIDED E:PART NO.DELETION K:REQUIRED NO. CORRECTION L:APPLICATION SERIAL NO. CORRECTION  
T:APPLICATION CORRECTION Z:REMARKS CHANGE



## PARTS CATALOGUE NEWS

Honda Motor Co., Ltd. Service Division

Printed in Japan

CODE NO.	BOOKLET TYPE	13Z6J601
	MICRO- FICHE	13Z6J6EA/FA
PARTS CATALOGUE NEWS	GX25NT	
NEWS NO.	008	

### GX25NT-STSC TYPE sales parts information

NOTE: This Parts Catalogue News explains only the parts of the different model that are produced to conform to addition of the GX25NT-STSC type.

As for the parts not listed on this Parts Catalogue News, use the parts of the GX25NT-S3 type.

- Models, parts catalogue codes and applicable serial numbers

Model	Type		Parts catalogue type	Applicable engine serial No.	Applicable carburetor identification No.
GX25NT	S3	Base type	S3	GCART-1000001~	WYB 6D
	STSC	Additional type	STSC		

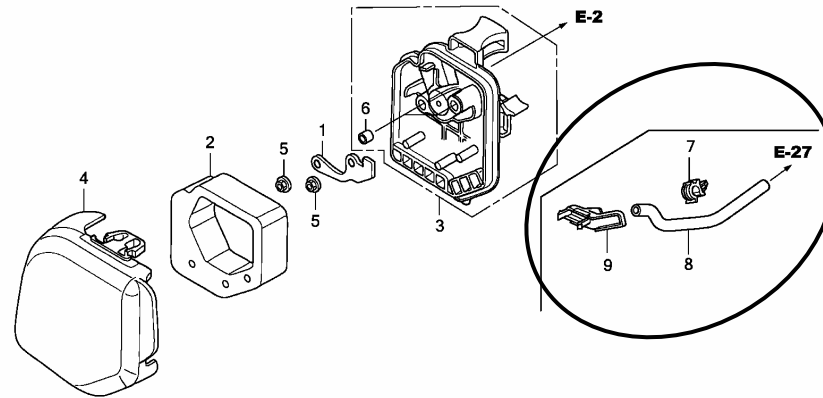
• Features of each type		Base type	Additional type
Specifications	Model	GX25NT	
	Type	S3	STSC
P.T.O. Shaft			
Tank guard			●
Control			

BOOKNo. : 13Z6J601

Block No.	Ref. No.	Part No.	Description	Reqd. QTY GX 25 NT	Base Part No.	Parts catalogue code
-----------	----------	----------	-------------	-----------------------------	---------------	----------------------

**E-15 AIR CLEANER (1)**

Ref. No.	(Relative ref. Number)	Description	FRT
8	3121Q1	TUBE, HOT AIR .....	0.1



Z6J0E1500B



E-15	3	17220-Z0H-010	CASE COMP., AIR CLEANER .....	1	17220-Z0H-000
	7	16731-ZE2-003	CLIP, TUBE .....	1	
	8	17241-Z6J-800	TUBE, HOT AIR .....	1	
	9	17242-Z6J-800	JOINT, HOT AIR .....	1	
E-17	2	17511-Z6J-003	TANK, FUEL .....	1	17511-Z0H-023
	6	17555-Z0H-010	GUARD, TANK .....	1	
	15	90010-Z0H-003	BOLT, SOCKET, 5X30 .....	2	
	16	90018-Z0H-003	BOLT, SOCKET, 5X16 .....	2	
	18	91501-Z0H-000	COLLAR, TANK GUARD .....	2	
	19	16865-Z6J-000	PROTECTOR, TUBE .....	1	
	20	91506-ZM3-000	COLLAR A, HEAD COVER .....	2	

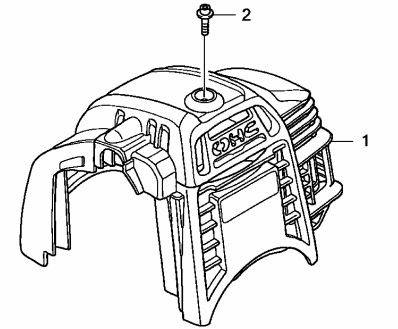
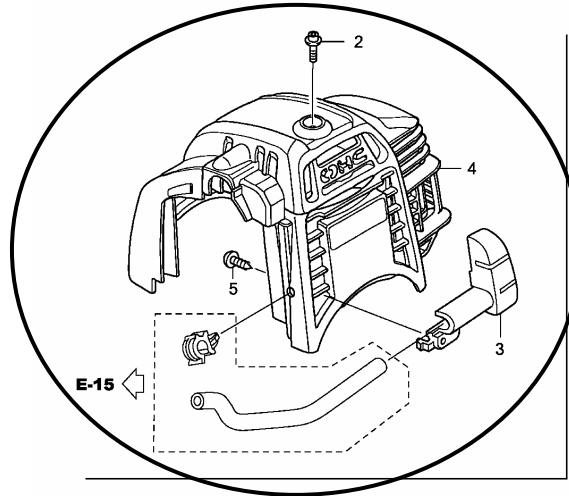
PARTS CATALOGUE NEWS

BOOKNo. : 13Z6J601

Block No.	Ref. No.	Part No.	Description	Reqd. QTY	Base Part No.	Parts catalogue code
-----------	----------	----------	-------------	-----------	---------------	----------------------

E-27 TOP COVER

Ref. No.	(Relative ref. Number)	Description	FRT
1	(4)		
1111D6		COVER, ENGINE TOP .....	0.1
3 3121Q2		DUCT, HOT AIR .....	0.1



Z6J0E2700A

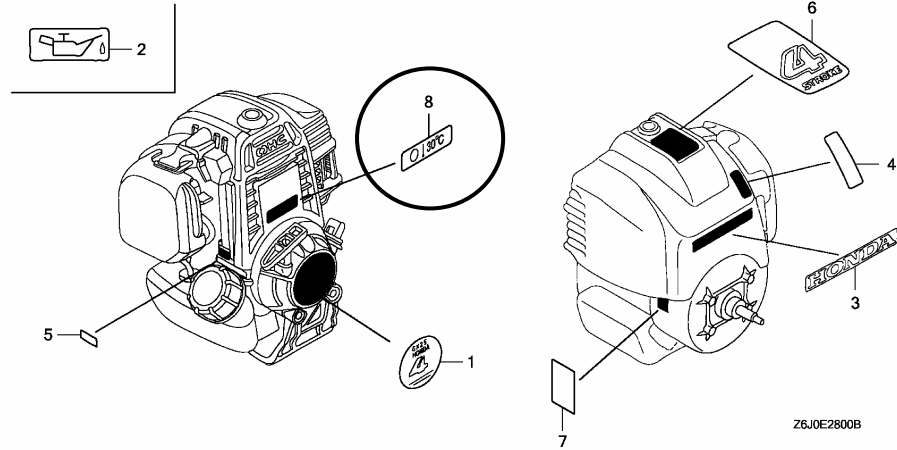
E-27	1	COVER COMP., TOP *R280*..... POWER RED	0	19720-Z0H-000ZB
	3	17244-Z6J-800 DUCT, HOT AIR .....	1	
	4	19720-Z6J-800 COVER COMP., TOP .....	1	
	5	93913-24120 SCREW, TAPPING, 4X10 .....	1	



PARTS CATALOGUE NEWS

BOOKNo. : 13Z6J601

Block No.	Ref. No.	Part No.	Description	Reqd. QTY GX 25 NT	Base Part No.	Parts catalogue code
E-28		LABEL				



Z6J0E2800B

E-28	1	87521-Z3E-010	MARK, EMBLEM .....	1	87521-Z3E-000	
	5	87601-Z6J-800	MARK, TYPE (STSC) .....	1	87601-Z4A-000	
	8	87538-Z3E-810	LABEL, OPERATOR NOTICE .....	1		



# PARTS CATALOGUE NEWS

Honda Motor Co., Ltd. Service Division

## PARTS CATALOGUE - CORRECTED

Printed in Japan

CODE NO.	BOOKLET TYPE	13Z6J601
	MICRO-FICHE	13Z6J6EA/FA
PARTS CATALOGUE NEWS	GX25NT	
NEWS NO.	009	

Block No.	Ref. No.	Note	Part No.	Description	Reqd. QTY	Serial No.	Parts catalogue code	
					GX 25 NT			
E-15	3	L	17220-Z0H-000	CASE COMP., AIR CLEANER .....	1	----- 1093534	SAM3, SATM, SGT3, SGT9, SMTD, ST3, S3, W3	
			T	17220-Z0H-010	.....	1	-----	STSC
						1	1093535	-----
E-17	2	L	17511-Z0H-023	TANK, FUEL .....	1	----- 1038979	SAM3, SGT3, ST3, S3, W3	
			T	17511-Z6J-003	.....	1	-----	SATM, SGT9, SMTD, STSC
						1	1038980	-----
	3	A	17511-Z0H-823	TANK, FUEL .....	1	----- 1038979	T3	
			17511-Z6J-821	.....	1	1038980	-----	T3
	11	A	17701-Z0H-820	TUBE, FUEL TANK .....	1	----- 1038979	T3	
			17701-Z0H-821	.....	1	1038980	-----	T3
	13	A	17702-Z0H-820	TUBE, FUEL RETURN .....	1	----- 1038979	T3	
			17702-Z0H-821	.....	1	1038980	-----	T3
	14		17703-Z0H-820	TUBE A, FUEL .....	1	----- 1038979	T3	

NOTE A:PART NO. CHANGE D:NEWLY PROVIDED E:PART NO. DELETION K:REQUIRED NO. CORRECTION L:APPLICATION SERIAL NO. CORRECTION  
T:APPLICATION CORRECTION Z:REMARKS CHANGE

PARTS CATALOGUE NEWS

BOOKNo. : 13Z6J601

Block No.	Ref. No.	Note	Part No.	Description	Reqd. QTY	Serial No.		Parts catalogue code
					GX 25 NT			
		A	17703-Z0H-821	.....	1	1038980	-----	T3
	19		16865-Z6J-000	PROTECTOR, TUBE .....	1	-----	-----	SATM, SMTD
				.....	1	-----	1086996	STSC
		A	16865-Z6J-800	.....	1	1086997	-----	STSC
E-28	1	L	87521-Z3E-000	MARK, EMBLEM .....	1	-----	1071906	SAM3, SGT3, ST3, S3, T3, W3
		T	87521-Z3E-010	.....	1	-----	-----	SATM, SMTD, STSC
				.....	1	1071907	-----	SAM3, SGT3, ST3, S3, T3, W3

NOTE A:PART NO. CHANGE D:NEWLY PROVIDED E:PART NO.DELETION K:REQUIRED NO. CORRECTION L:APPLICATION SERIAL NO. CORRECTION  
T:APPLICATION CORRECTION Z:REMARKS CHANGE