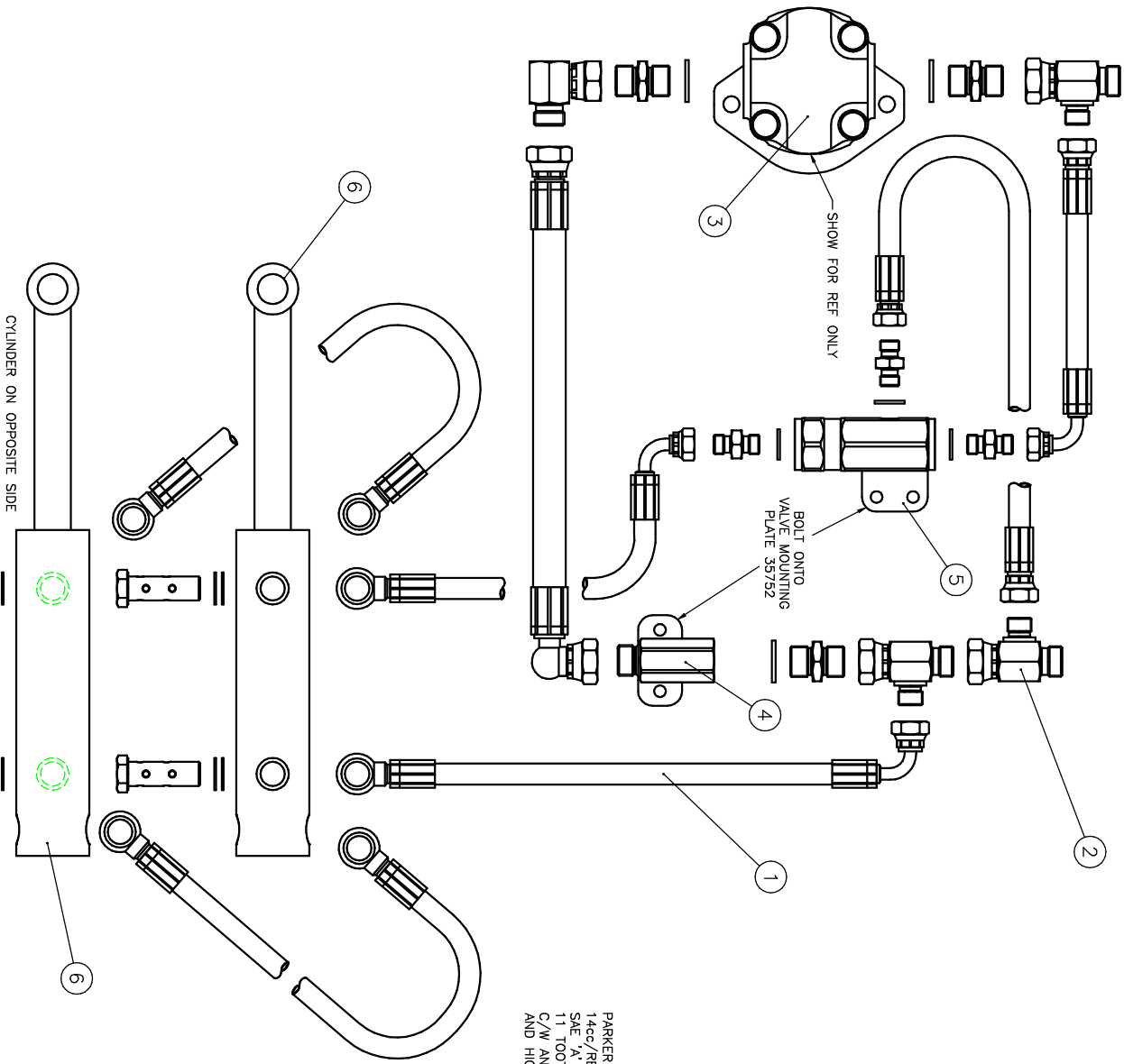
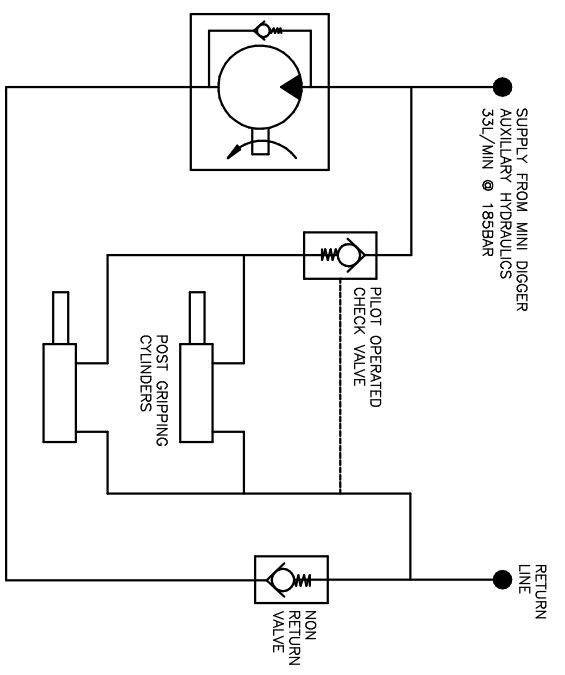


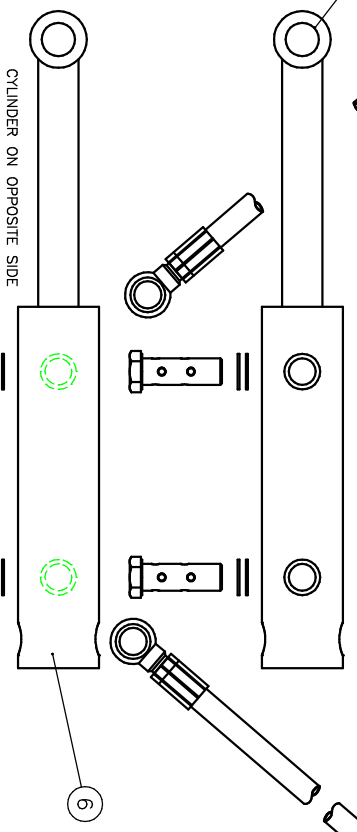
THIRD ANGLE PROJECTION



PARKER PGM511 MOTOR
 14cc/REV
 SAE "A" 2 BOLT FLANGE
 1" TOOTH SHAFT
 C/W ANTI-CAVITATION
 AND HIGH PRESSURE SEAL



MINI POSTMASTER: DESCRIPTION OF CIRCUIT
 TAKING OIL FROM THE EXCAVATOR AUXILIARY LINE, THE FEED LINE WILL FIRST RETRACT THE CYLINDERS, (POST GRIPPING) AND THEN PRESSURISE THE MOTOR TO START ROTATION.
 DURING ROTATION, SYSTEM PRESSURE IS MAINTAINED ON THE CYLINDERS.
 WHEN THE FLOW IS STOPPED, PRESSURE WITHIN CYLINDERS IS MAINTAINED VIA PILOT OPERATED CHECK VALVE.
 TO EXTEND CYLINDERS (RELEASE POST), FLOW IS REVERSED, THEREBY OPENING P/O CHECK VALVE, AND RELEASING PRESSURE IN CYLINDERS
 THE MOTOR IS PROTECTED FROM REVERSE PRESSURE VIA THE NON RETURN VALVE



outo guide
 THIS DRAWING IS THE PROPERTY OF AUTOGUIDE EQUIPMENT. IT MAY NOT BE COPIED, USED OR OTHERWISE DISSEMINATED WITHOUT WRITTEN PERMISSION. PATENT AND / OR COPYRIGHT APPLIES WHERE APPROPRIATE

ITEM NO.	QTY.	DESCRIPTION
6	2	34313 D/A RAM
5	1	35976 PILOT OPERATED CHECK W/A
4	1	36380 CHECK VALVE ASSEMBLY MPM
3	1	05457 HYDRAULIC GEAR MOTOR
2	1	37469 HYDRAULIC FITTINGS
1	1	37468 HYDRAULIC HOSES

SKM	C 10/09/12	ITERANCES	41mm 4" D	SCALE: 1:1
LWW	B 24/10/11	AUTOGUIDE EQUIPMENT		@ 20/04/11
91337	A 20/04/11			LWW
PRODUCT	REVISIONS	HYDRAULICS MINI POSTMASTER		

36002