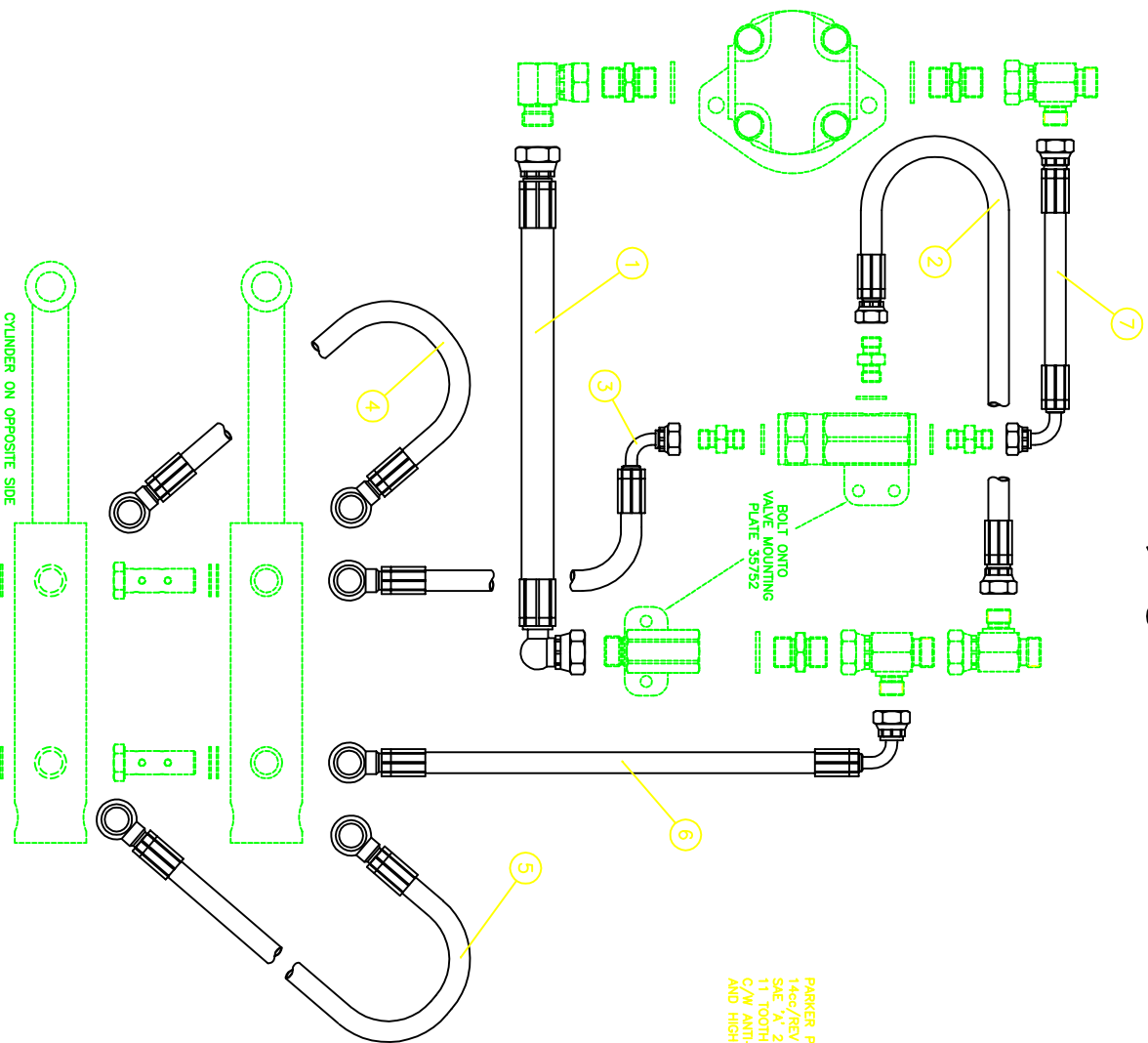
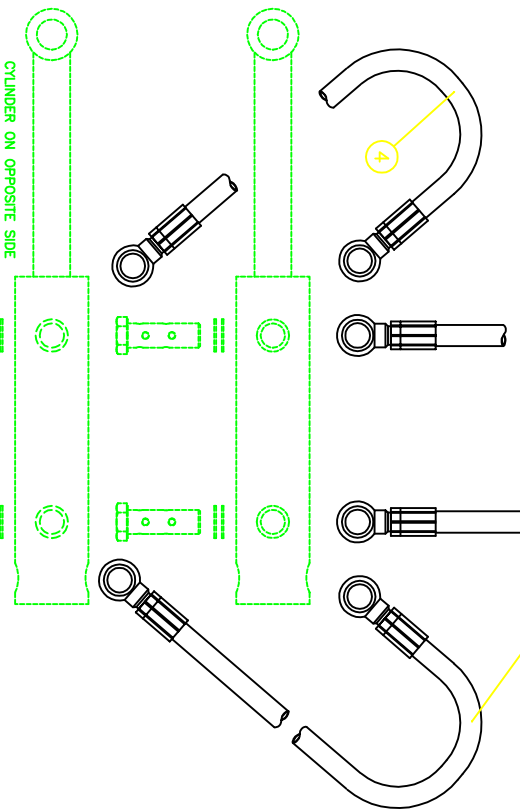
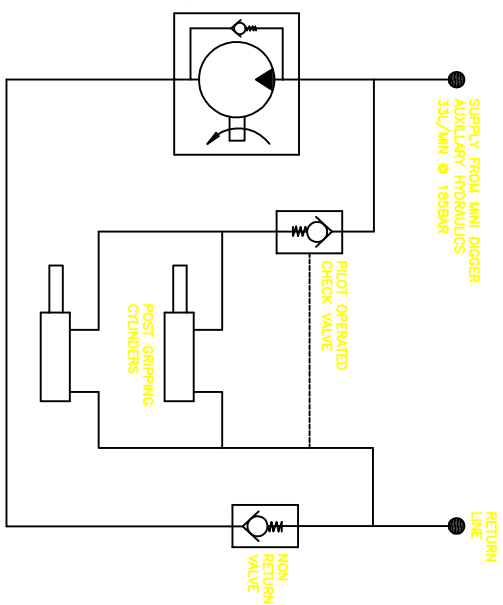


THIRD ANGLE PROJECTION



PARKER P0M511 MOTOR  
1400/REV  
SHE. A-2 BOLT FLANGE  
1/2" BOLT  
O/N BOLT CAPTATION  
AND HIGH PRESSURE SEAL



CYLINDER ON OPPOSITE SIDE

THIS DRAWING IS THE PROPERTY OF AUTOGUIDE EQUIPMENT. IT MAY NOT BE COPIED, USED OR OTHERWISE DISSEMINATED WITHOUT WRITTEN PERMISSION. PATENT AND / OR COPYRIGHT APPLIES WHERE APPROPRIATE

QTY	ITEM NO.	DESCRIPTION
8	1	08986 HOSE STD DGB BORE 2 WIRE
7	1	35956 HOSE ASSY
6	1	38004 HOSE ASSY
5	1	38043 HOSE ASSY
4	1	38042 HOSE ASSY
3	1	38007 HOSE ASSY
2	1	35964 HOSE ASSY
1	1	35963 HOSE ASSY

SCALE: 1:1  
 DATE: 10/08/12  
 DRAWN BY: SKM  
 CHECKED BY: A 10/08/12  
 PROJECT: 37468