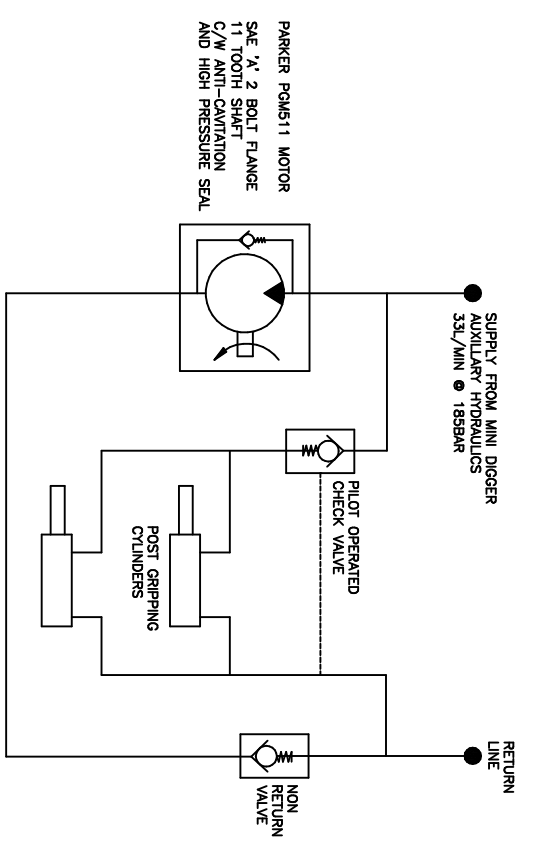
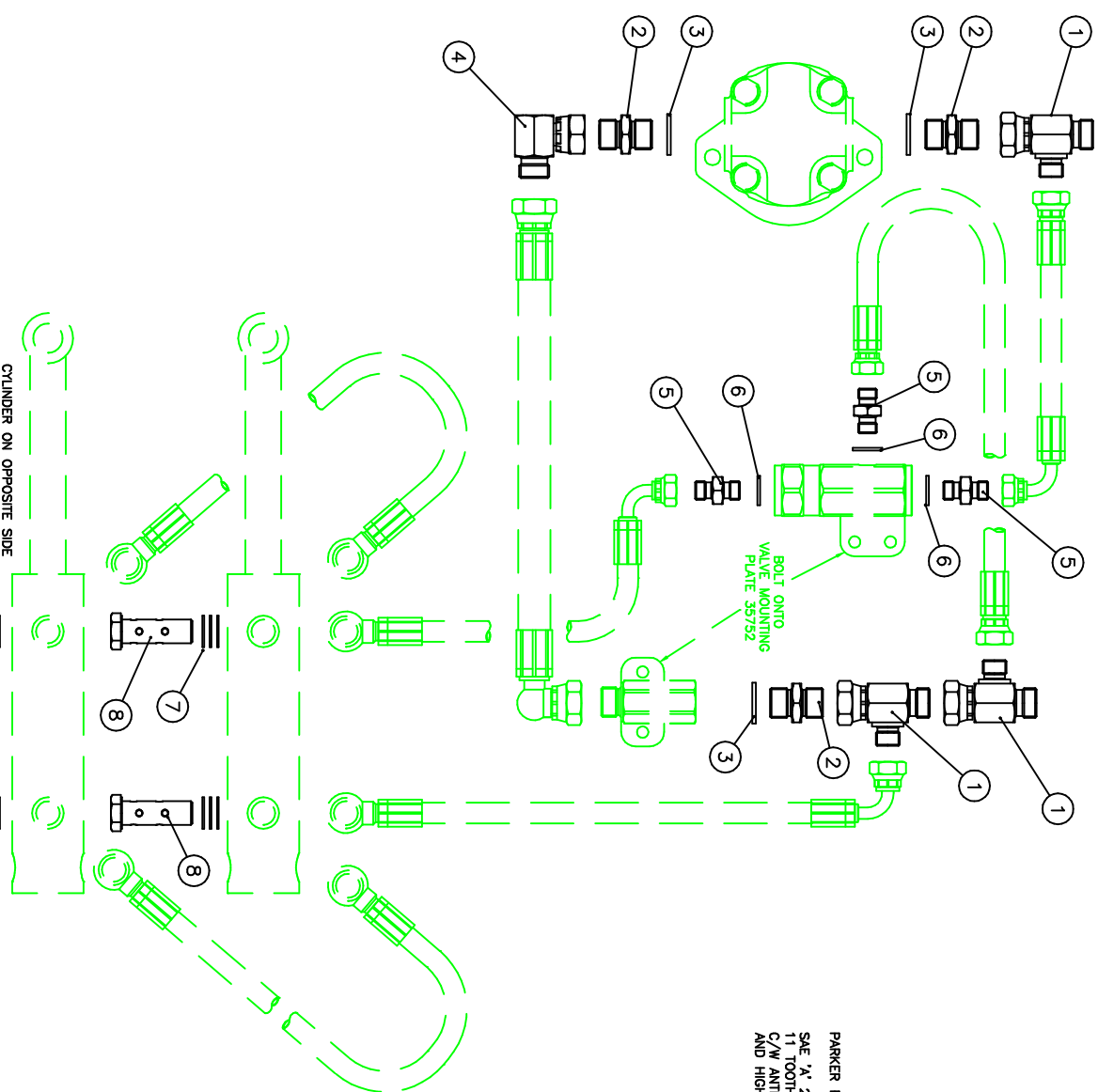


THIRD ANGLE PROJECTION



THIS DRAWING IS THE PROPERTY OF AUTOGUIDE EQUIPMENT. IT MAY NOT BE COPIED, USED OR OTHERWISE DISSEMINATED WITHOUT WRITTEN PERMISSION. PATENT AND / OR COPYRIGHT APPLIES WHERE APPROPRIATE

QTY	REF	DESCRIPTION	PL. NO.	REVISIONS
1	1	BRANCH TEE	06171	
2	2	STRAIGHT CONNECTOR 1/2IN BSP	01097	
3	3	SEAL BOUNDED 008	02182	
4	4	ELBOW 008 SH NF BSP	0123	
5	5	STRAIGHT CONNECTOR 1/4IN BSP	01092	
6	6	1/4 IN DOWTY WASHER	01812	
7	7	SEAL BOUNDED 006	05005	
8	8	BOLT BANJO DOUBLE 3/8IN	09801	
9	9	BOLT BANJO 3/8IN	01097	
10	10	STRAIGHT CONNECTOR 1/2IN BSP	01097	
11	11	COUPLER 008 BSP FLAT FACE	09181	
12	12	PLUG 008 BSP FLAT FACE	09206	
13	13	FITTING 08A08 NU	01046	
14	14	FITTING 08A08 NU/45	01047	
15	15	FERRULE 008 RIT /R2T	01911	