

# Masport®

## EXPORT ROTARY MOWERS

### SERIES 21

<u>Part Number</u>	<u>Model</u>	<u>Engine</u>
467861	800ST SP CO W14 USA	B&S Series 850

Month and Year of Manufacture: June 2019

Starting Serial Number: 8368479

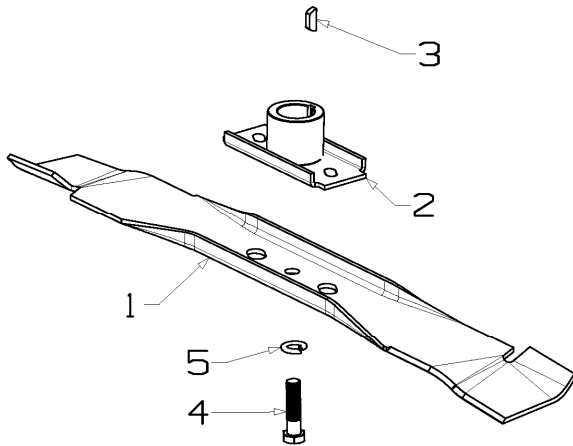
Serial Numbers: < 8368479 Refer to IPL 767861.Z.0



Issue A.0  
ECN 04012  
Mar 2020 PB  
REF # 767861S



## 540mm Bar Blade Assembly

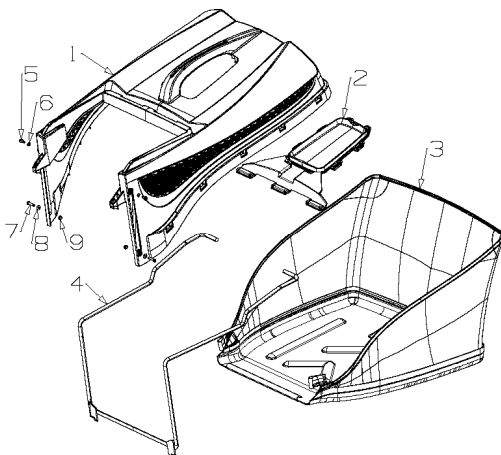


Item	Part No	Description	Qty
1	573391	Blade- Bar, 540mm HP	1
2	031640	Driver Assy- Blade, 25mm	1
3	503363	Key- W/Ruff 5/8 x 3/16 x 1/4	1
4	503543	Bolt; Hex NF 3/8 x 1.5 NYG8	1
5	500204	Washer; Spg 3/8"	1

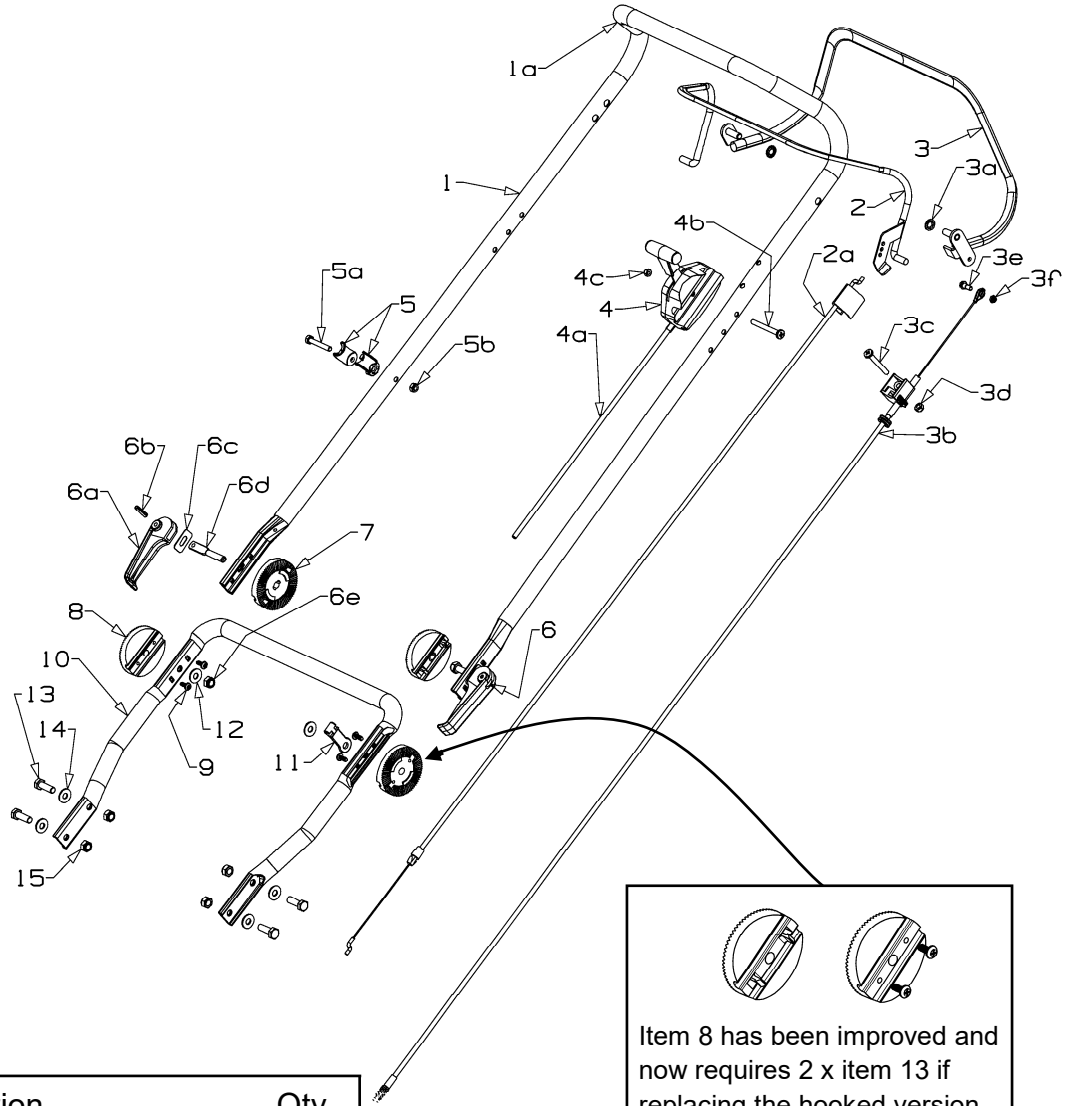
An alternative fastening may be used in this assembly

#4	581610	Screw, Set NF 3/8 x 1.25 NYG8	1
----	--------	-------------------------------	---

## 773401 Aero Catcher Assembly, 19"/21"



Item	Part No	Description	Qty
1	573373	Catcher, Top 19/21"	1
2	573370	Catcher, Top Insert	1
3	573375	Catcher, Bottom 19/21"	1
4	573841	Catcher, Frame 19" SP	1
5	503834	Screw, S/T M4x10 Hex	2
6	501024	Washer- Spg 4	2
7	501023	Screw, Set M4 x 20 Hex	2
8	503593	Washer, Flat 4 x 9 x1.0	2
9	503875	Nut, M4 Hex Nyloc	2

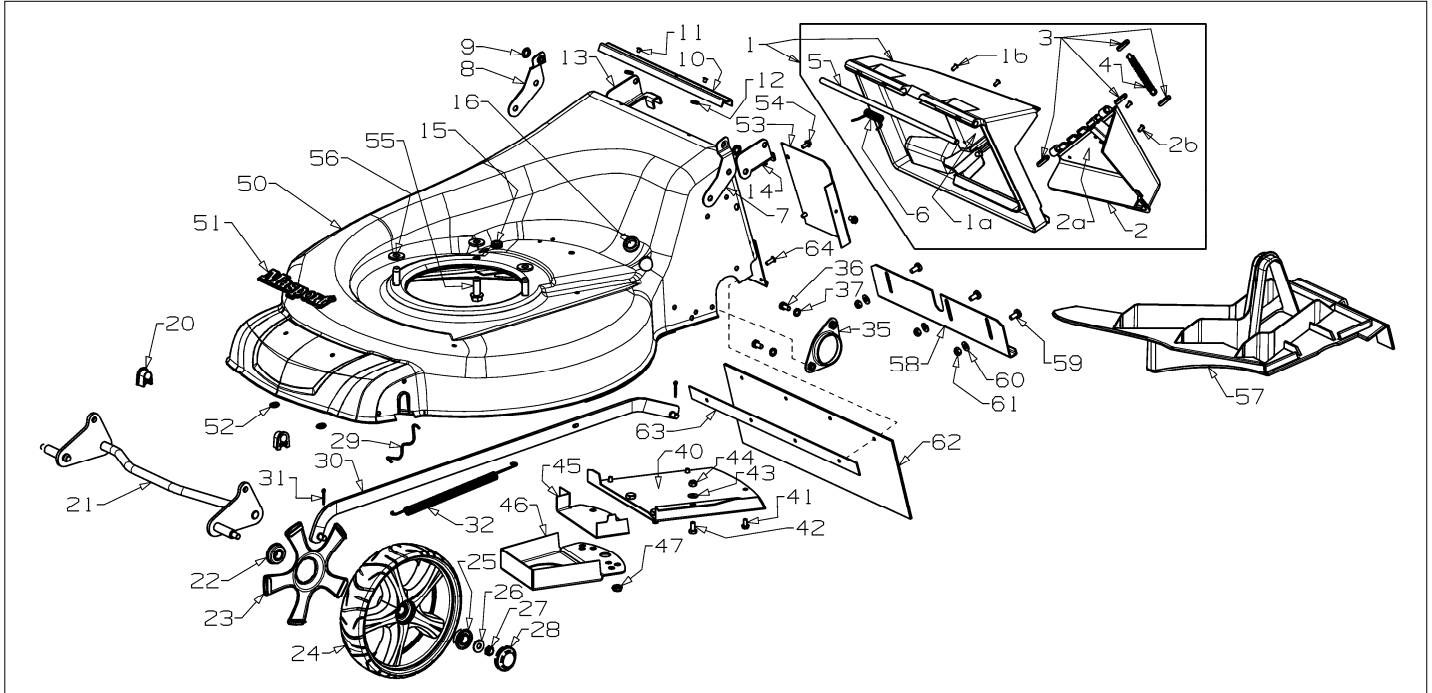


Item 8 has been improved and now requires 2 x item 13 if replacing the hooked version

Item	Part No	Description	Qty
1/1a	<b>764017</b>	Handle & Sleeve 21" ADJ SFT/BLK	1
2	<b>981740</b>	Bail Arm Assy, OPC Red	1
2a	<b>579782</b>	Cable- Engine, OPC Push On	1
3	<b>982161</b>	Bail Arm Assy, SP Red	1
3a	<b>501365</b>	Clip- Starlock, 5/16"	2
3b	<b>565435</b>	Cable- Clutch, Thumb Wheel	1
If back fitting item 3b you will also require 1 x 3e & 3f			
3c	<b>503604</b>	Screw, Pan M6 x 45 Poz ZP	1
3d	<b>501764</b>	Nut, M6 Nyloc x 6mm thick	1
3e	<b>502237</b>	Bolt, Hex Flat Head Shouldered	1
3f	<b>502238</b>	Nut, M5 Hex Nyloc x 5mm thick	1
4/4a	<b>583460</b>	<b>Throttle Ctrl &amp; Cable, VE CH"T"</b>	1
4b	<b>503508</b>	*Screw, Pan M6 x 55 Poz ZP	1
4c	<b>501764</b>	*Nut, M6 Hex Nyloc x 6mm thick	1
5	<b>703856</b>	<b>Comfort Start Kit</b>	1
5a	<b>503794</b>	*Screw, Set M6 x 40	1
5b	<b>501764</b>	*Nut, M6 Hex Nyloc x 6mm thick	1

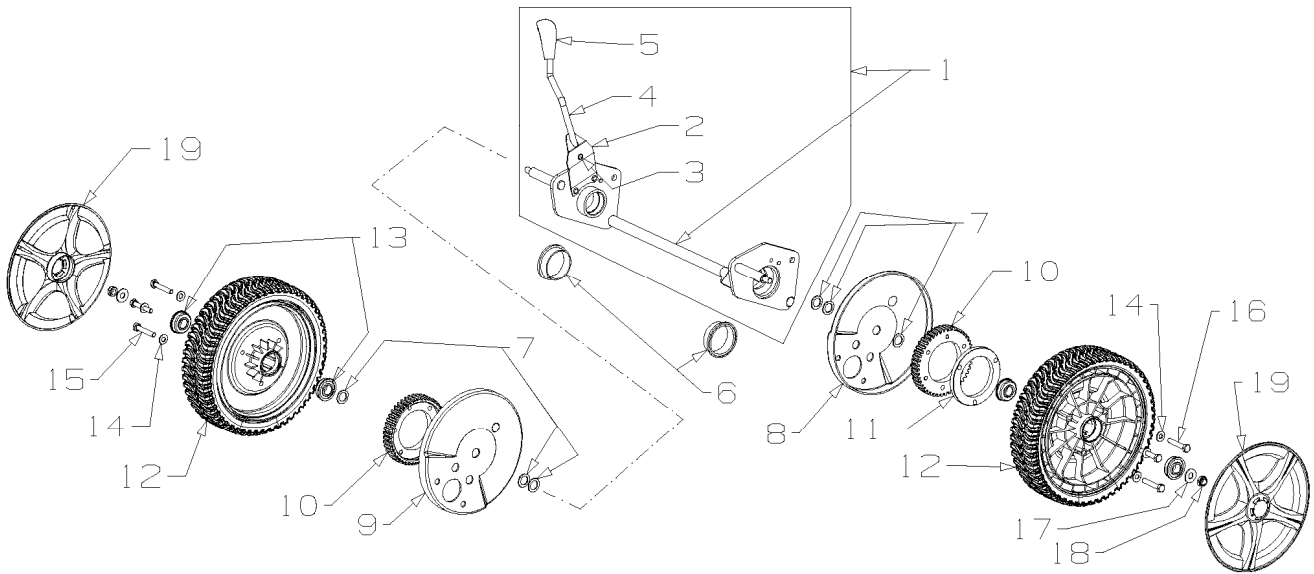
Item	Part No	Description	Qty
6	<b>769674</b>	<b>Cam Lock assembly (1 per)</b>	2
6a	<b>582419</b>	*Lever- Handle Locking	1
6b	<b>503369</b>	*Pin, Tension 5.0 x 22	1
6c	<b>016777</b>	*Washer, Slipper S/S	1
6d	<b>569674</b>	*Stud- Handle Lock, 72mm	1
6e	<b>501793</b>	*Nut, M8 Hex Nyloc x 8mm thick	1
7	<b>569673</b>	Disc- Locking Outer, Thick	2
8	<b>569770</b>	Disc- Locking Inner, Thick	2
9	<b>503099</b>	Screw, S/Tapping M5 x 14 Poz	4
10	<b>982418</b>	Handle- Lower, "U" Adj 19"	1
11	<b>581527</b>	Retainer- Clutch Cable	1
12	<b>501606</b>	Washer, Flat 8 x 19 x 1.6	2
13	<b>501597</b>	Screw, Set M8 x 20 Hex	4
14	<b>501606</b>	Washer, Flat 8 x 19 x 1.6	4
15	<b>501793</b>	Nut, M8 Hex Nyloc x 8mm thick	4

When ordering spares: PLEASE QUOTE PART NUMBER & Description, NOT illustrated number. Item Qty = 1 per part unless stated differently. **BOLD TEXT** = Assemblies. Text starting with \* = items included in the assemblies & may not be available as a spares item. Determine the left hand or right hand sides by standing in the operating position (standing at the handle).



Item	Part No	Description	Qty	Item	Part No	Description	Qty
	<b>1</b>	<b>767061 Flap Assy-Smart Chute, USA</b>	<b>1</b>	<b>30</b>	<b>569347</b>	Rod Assy, Connecting 21" H/Cut	<b>1</b>
	<b>1a</b>	<b>*567046 Guard Plate- Smart Chute, USA</b>	<b>1</b>	<b>31</b>	<b>569301</b>	Spring, Counter Balance 21"H/Cut	<b>1</b>
	<b>1b</b>	<b>*503201 Rivet- Pop 4.0 x 7.9 73SS5-5</b>	<b>4</b>	<b>32</b>	<b>501056</b>	Pin, Cotter 2.3d x 16	<b>2</b>
	<b>2</b>	<b>*564038 Flap- Door, Side- Plate</b>	<b>1</b>	<b>35</b>	<b>581178</b>	Retainer, Axle Rear	<b>2</b>
	<b>2a</b>	<b>*564037 Guard Plate- Smart Chute Flap</b>	<b>1</b>	<b>36</b>	<b>501959</b>	Screw, M6 x 12 Hex	<b>4</b>
	<b>2b</b>	<b>*503201 Rivet- Pop 4.0 x 7.9 73SS5-5</b>	<b>4</b>	<b>37</b>	<b>500201</b>	Washer, Spg 6	<b>4</b>
	<b>3</b>	<b>*581676 Pin, Tension 6.0 x 35</b>	<b>4</b>	<b>40</b>	<b>964018</b>	Cover- Belt, 21" Stl Syncro Blk	<b>1</b>
	<b>4</b>	<b>*581648 Spring- Flap, Side Discharge</b>	<b>1</b>	<b>41</b>	<b>503630</b>	Screw, S/T 10 x .4 TYP B	<b>3</b>
	<b>5</b>	<b>*583312 Wire- Flap Pivot 325 x 8</b>	<b>1</b>	<b>42</b>	<b>501959</b>	Screw, Set M6 x 12	<b>1</b>
	<b>6</b>	<b>*579213 Spring- Flap, 19" STL</b>	<b>1</b>	<b>43</b>	<b>501703</b>	Washer, Flat 6 x 14 x 1.2	<b>1</b>
	<b>7</b>	<b>579209</b>	<b>1</b>	<b>44</b>	<b>501764</b>	Nut, M6 Hex Nyloc x 6mm thick	<b>1</b>
	<b>8</b>	<b>579210</b>	<b>1</b>	<b>45</b>	<b>567413</b>	Cover- Belt, SPV Ext Syncro	<b>1</b>
	<b>9</b>	<b>501365</b>	<b>2</b>	<b>46</b>	<b>567412</b>	Cover- Belt, SPV 21" Syncro	<b>1</b>
	<b>10</b>	<b>579211</b>	<b>1</b>	<b>47</b>	<b>503831</b>	Nut, M8 Hex Nyloc x 6mm thick	<b>2</b>
	<b>11</b>	<b>581369</b>	<b>2</b>	<b>50</b>	<b>773241</b>	<b>Housing Assy-Stl T 21" TTNM</b>	<b>1</b>
	<b>12</b>	<b>502170</b>	<b>2</b>			( Includes items 15, 16, 51, 52, 53, 54 )	
	<b>13</b>	<b>573436</b>	<b>1</b>	<b>51</b>	<b>581240</b>	Nameplate	<b>1</b>
	<b>14</b>	<b>573435</b>	<b>1</b>	<b>52</b>	<b>503150</b>	Clip- Starlock, 5 Dia	<b>2</b>
	<b>15</b>	<b>567443</b>	<b>1</b>	<b>53</b>	<b>573579</b>	Tunnel- G/Box Cover 21" Stl	<b>1</b>
	<b>16</b>	<b>502179</b>	<b>1</b>	<b>54</b>	<b>503630</b>	Screw, S/T 10 x .4 TYP B	<b>3</b>
	<b>20</b>	<b>580030</b>	<b>2</b>	<b>55</b>	<b>580453</b>	Screw, S/T 3/8 x 1-1/8 UNC	<b>3</b>
	<b>21</b>	<b>569569</b>	<b>1</b>	<b>56</b>	<b>503419</b>	Washer, Flat 10 x 23 x 3.0	<b>3</b>
	<b>22</b>	<b>551212</b>	<b>2</b>	<b>57</b>	<b>573389</b>	Insert- Mulching, 21" Stl T SP	<b>1</b>
	<b>23</b>	<b>579205</b>	<b>2</b>	<b>58</b>	<b>571048</b>	Hook 19/21" Aero Catcher	<b>1</b>
	<b>24</b>	<b>573706</b>	<b>2</b>	<b>59</b>	<b>503591</b>	Screw, Pan M6 x 12	<b>3</b>
		<b>Wheel Assy- 200mm Mag Silver</b>	<b>2</b>	<b>60</b>	<b>501703</b>	Washer, Flat 6 x 14 x 1.2	<b>3</b>
		(Includes 2 x 551212 per wheel)		<b>61</b>	<b>501764</b>	Nut, M6 Hex Nyloc x 6mm thick	<b>3</b>
	<b>25</b>	<b>551212</b>	<b>2</b>	<b>62</b>	<b>569348</b>	Guard Rubber- Flap, Rear 21"	<b>1</b>
	<b>26</b>	<b>501606</b>	<b>4</b>	<b>63</b>	<b>569349</b>	Guard Plate- Flap, Rear 21"	<b>1</b>
	<b>27</b>	<b>503831</b>	<b>2</b>	<b>64</b>	<b>503423</b>	Rivet- Pop, 4.8 x 6.4 73SS6-4	<b>4</b>
	<b>28</b>	<b>579204</b>	<b>2</b>				
	<b>29</b>	<b>529674</b>	<b>2</b>				

When ordering spares: PLEASE QUOTE PART NUMBER & Description, NOT illustrated number. Item Qty = 1 per part unless stated differently.  
**BOLD TEXT** = Assemblies. Text starting with \* = items included in the assemblies & may not be available as a spares item.  
 Determine the left hand or right hand sides by standing in the operating position (standing at the handle).



**Note**

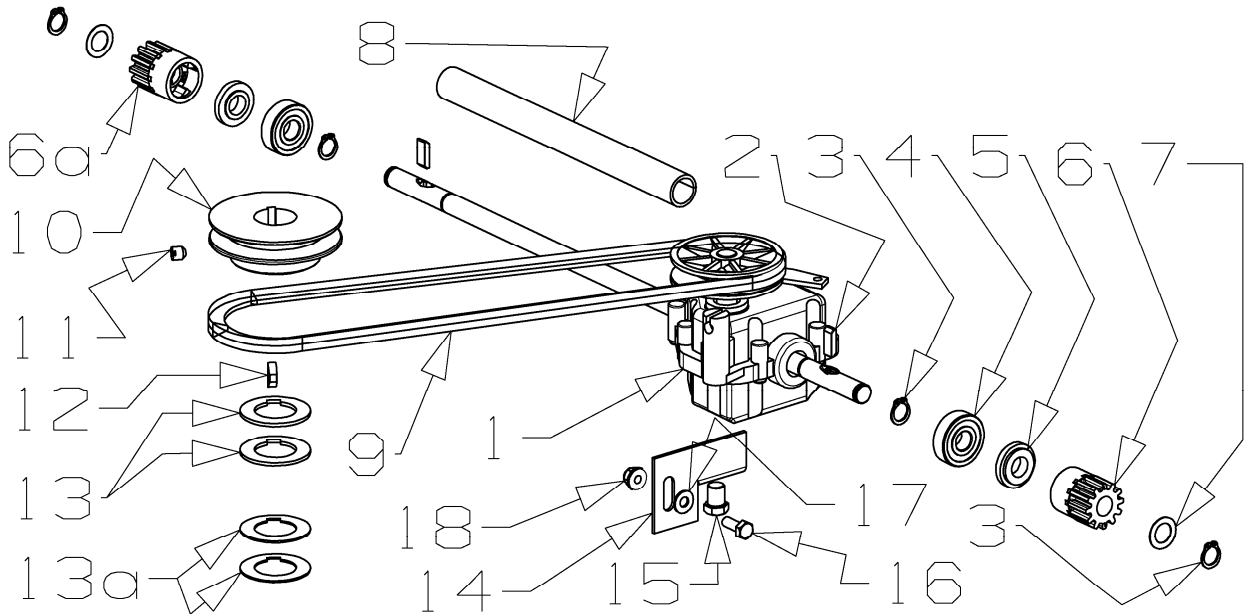
To have a wide mesh between the Pinion and Gear (Item 10)  
H/C Axle 769710 and Gearbox 573181 requires Spacer (Item 11)  
to be on the left side of the axle assembly

Item	Part No	Description	Qty	Item	Part No	Description	Qty
<b>1</b>	<b>769710</b>	<b>Axle Assy- Rear, Comp 21"</b>	<b>1</b>	<b>11</b>	<b>569479</b>	Spacer, Gear Driving	<b>1</b>
<b>2</b>	<b>580649</b>	*Spring-Leaf	<b>1</b>	<b>12</b>	<b>569667</b>	<b>Wheel Assy- 220 Deep Tread</b>	<b>2</b>
<b>3</b>	<b>503373</b>	*Rivet-Flat Head,3/16 x 27/64	<b>3</b>			(Includes 2 x 551212 per wheel)	
<b>4</b>	<b>973681</b>	*Rod-Height Selector (MSV)	<b>1</b>	<b>13</b>	<b>551212</b>	Bearing-Wheel, Ball Type	<b>4</b>
<b>5</b>	<b>581729</b>	*Knob-Height Lever (MSV)	<b>1</b>	<b>14</b>	<b>501703</b>	Washer, Flat 6 x 14 x 1.2	<b>6</b>
<b>6</b>	<b>580091</b>	Bush- Pivot, Rear Axle	<b>2</b>	<b>15</b>	<b>501815</b>	Screw, Set M6 x 35 RH Side	<b>3</b>
<b>7</b>	<b>503301</b>	Washer, Flat 1/2 x 3/4 x 18g	<b>6</b>	<b>16</b>	<b>503794</b>	Screw, Set M6 x 40 LH Side	<b>3</b>
<b>8</b>	<b>579426</b>	Dust Cover RH + LH SP	<b>1</b>	<b>17</b>	<b>501606</b>	Washer, Flat 8 x 19 x 1.6	<b>2</b>
<b>9</b>	<b>579426</b>	Dust Cover RH + LH SP	<b>1</b>	<b>18</b>	<b>503831</b>	Nut, M8 Hex Nyloc x 6mm thick	<b>2</b>
<b>10</b>	<b>569180</b>	Gear Driving - 45 Teeth	<b>2</b>	<b>19</b>	<b>579207</b>	Hub Cap, 220mm MSV Silver	<b>2</b>

Not Illustrated

<b>503054</b>	Tie- Nylon Cable, Black	<b>4</b>	<b>580778</b>	Stop- Rope	<b>1</b>
<b>564050</b>	Decal, Danger Hands Clear	<b>1</b>	<b>582070</b>	Decal, Serial Number	<b>1</b>
<b>564101</b>	Decal, Flap- Smart/Chute	<b>1</b>			
<b>565270</b>	Decal, Warning USA	<b>1</b>			
<b>569536</b>	Decal, Cert Label USA	<b>1</b>			
<b>569052</b>	Owner Manual	<b>1</b>			
<b>571100</b>	Decal, "Power Drive"	<b>1</b>			
<b>573198</b>	Decal, HSG "Self Propelled"	<b>1</b>			
<b>579762</b>	Decal, HSG 21 800	<b>1</b>			

When ordering spares: PLEASE QUOTE PART NUMBER & Description, NOT illustrated number. Item Qty = 1 per part unless stated differently.  
**BOLD TEXT** = Assemblies. Text starting with \* = items included in the assemblies & may not be available as a spares item.  
Determine the left hand or right hand sides by standing in the operating position (standing at the handle).



Item	Part No	Description	Qty	Item	Part No	Description	Qty
1	<b>573181</b>	Gearbox-Single Speed, 21"	1	12	<b>503363</b>	Key, Woodruff 5/8 x 3/16 x 1/4	1
2	<b>581092</b>	Pawl, Pinion 950 SP	2	13	<b>569552</b>	Spacer-Pulley 25 x 42 x 2	2
3	<b>503759</b>	Circlip, 12 EXT DIN 471	4	13a	<b>573024</b>	Spacer-Pulley 25 x 42 x 1	2
4	<b>501213</b>	Bearing, 12 x 32 x 10 6201 2RS	2	14	<b>573759</b>	Mount, Gearbox 21" SP	1
5	<b>581093</b>	Cap, Pinion 950 SP Plastic	2	15	<b>503955</b>	Screw, Set M10 x 12 Hex	1
6	<b>569178</b>	Pinion, LH 12 Teeth	1	16	<b>501702</b>	Screw, Set M6 x 16 Hex	1
6a	<b>569179</b>	Pinion, RH 12 Teeth	1	17	<b>501703</b>	Washer, Flat 6 x 14 x 1.2	1
7	<b>503102</b>	Washer, Flat 12 x 20 x 0.4	2	18	<b>503973</b>	Nut, M6 Nyloc Flange	1
8	<b>583563</b>	Sleeve, Rear Axle MSV SP	1				
9	<b>571009</b>	Belt- V HC Vextra XPZ 925 Gates	1				
10	<b>573735</b>	Pulley- Eng, 25b x 79d x 26.5h	1				
		(Note, Serial Numbers > 8368538 use 568652)					
10	<b>568652</b>	Pulley- Eng, 25b x 79d x 26.0h ALI	1				
11	<b>503386</b>	Screw, Grub M8 x 8	1				

When ordering spares: PLEASE QUOTE PART NUMBER & Description, NOT illustrated number. Item Qty = 1 per part unless stated differently.  
**BOLD TEXT** = Assemblies. Text starting with \* = items included in the assemblies & may not be available as a spares item.  
 Determine the left hand or right hand sides by standing in the operating position (standing at the handle).