
SERVICE SHEETS

PortaPump™

PORTABLE PUMP

Model PP32



(Version No. 300709)

(This manual applies to the portable pumps with serial number 4073 and onwards)

WARNING

To reduce the risk of injury, all operators and maintenance personnel must read and understand these instructions before operating, changing accessories, or performing maintenance on this power equipment. All possible situations cannot be covered in these instructions. Care must be exercised by everyone using, maintaining or working near this equipment.

PORTAPUMP

MODEL PP32

(HONDA GX35 4-STROKE PETROL)

Part No.

F03600

SERVICE SHEET NO. F03635 ISSUE 300709



ITEM	DESCRIPTION	QTY	P/N
0.3	DECAL, SAFETY (PORTAVIBE)	1	F03464
0.2	LABEL, USE UNLEADED PETROL ONLY	1	F01433
0.1	LABEL, PORTAPUMP (STARTER RECOIL)	1	F03633

PORTAPUMP

MODEL PP32

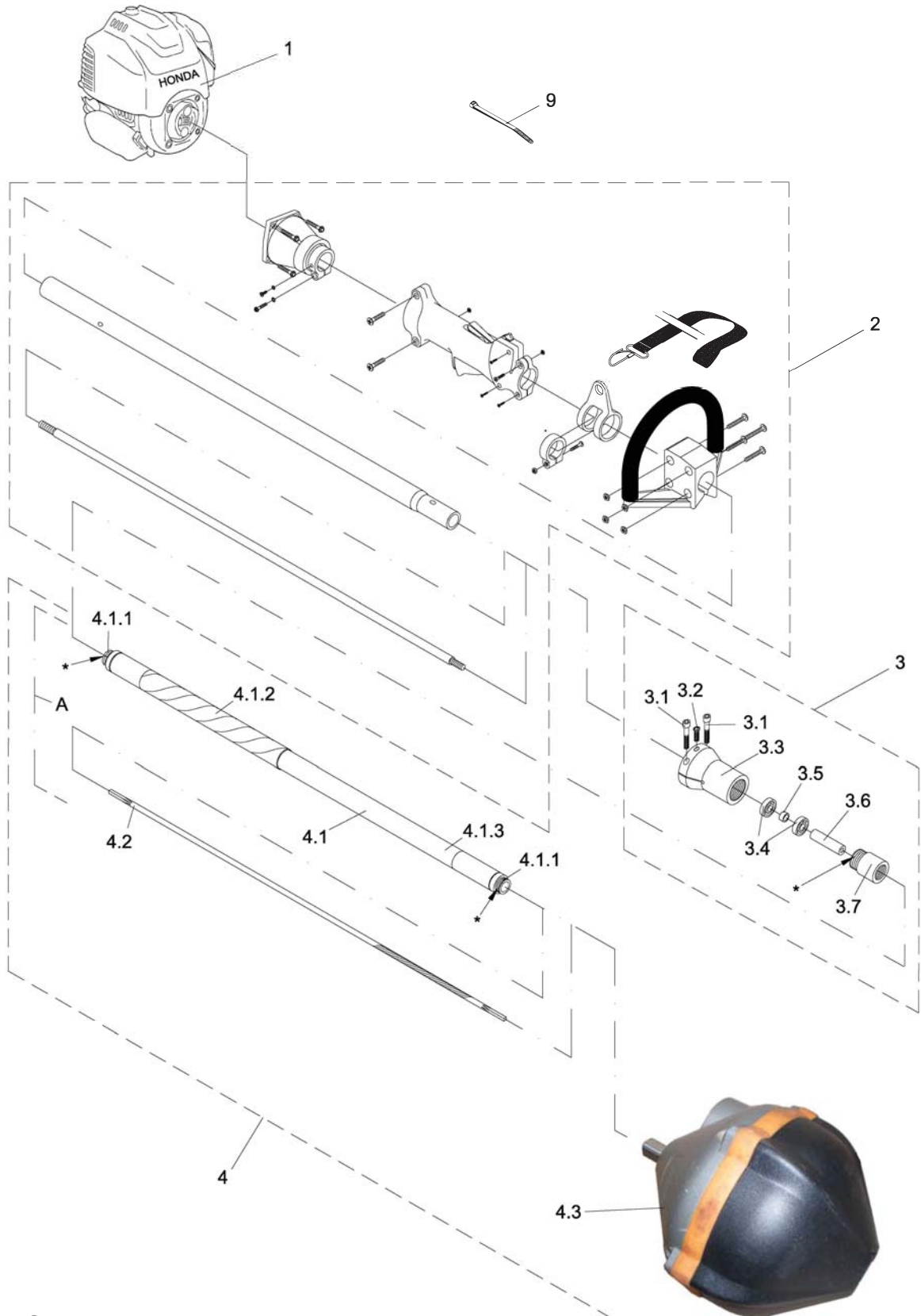
(HONDA GX35 4-STROKE PETROL)

Part No.

F03600

SERVICE SHEET NO. F03635

ISSUE 300709



NOTE:
* LEFT HAND THREAD.

PORTAPUMP

Part No.

MODEL PP32

F03600

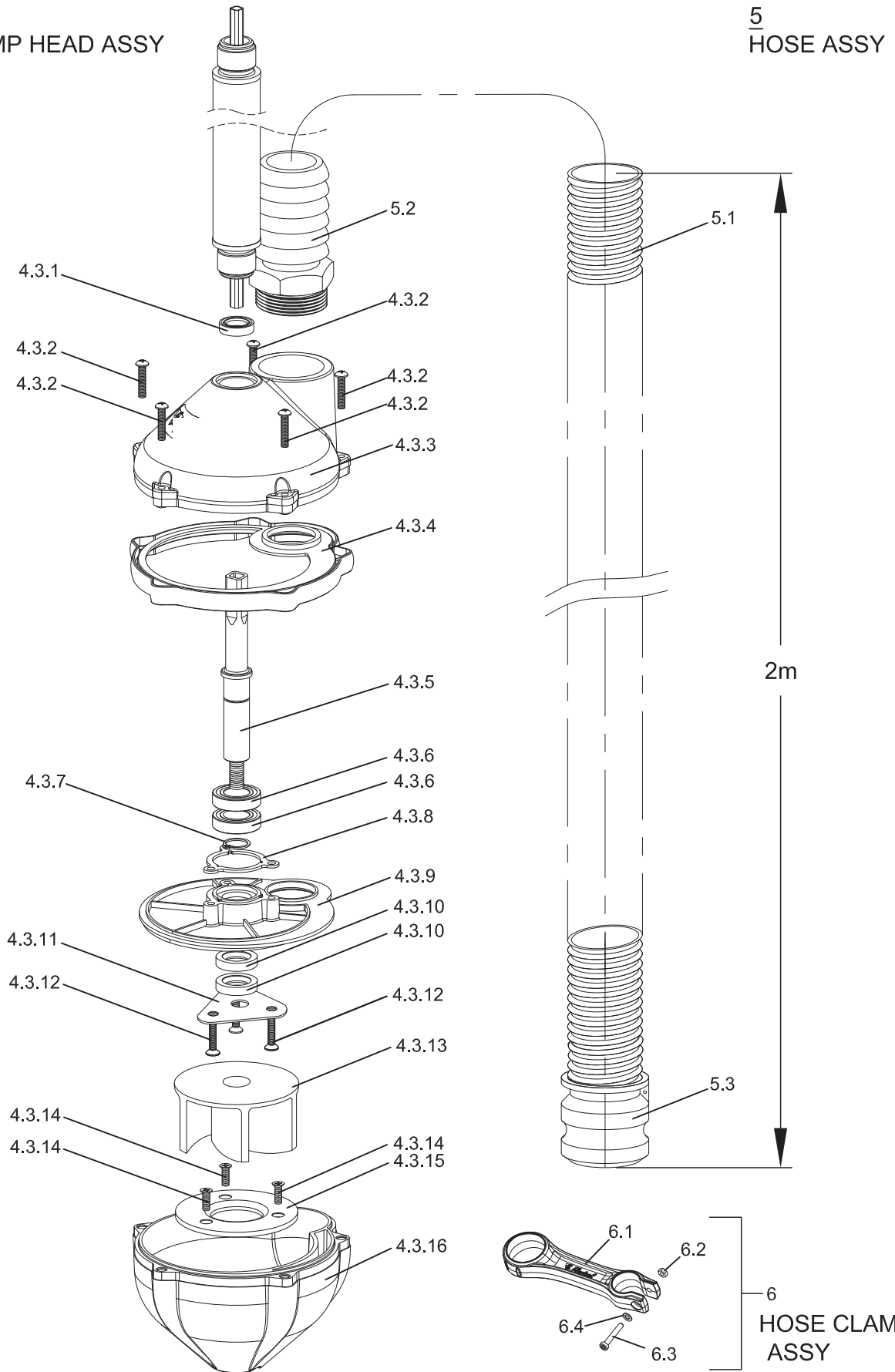
SERVICE SHEET NO. F03635

ISSUE 300709

(HONDA GX35 4-STROKE PETROL)

4.3 PUMP HEAD ASSY

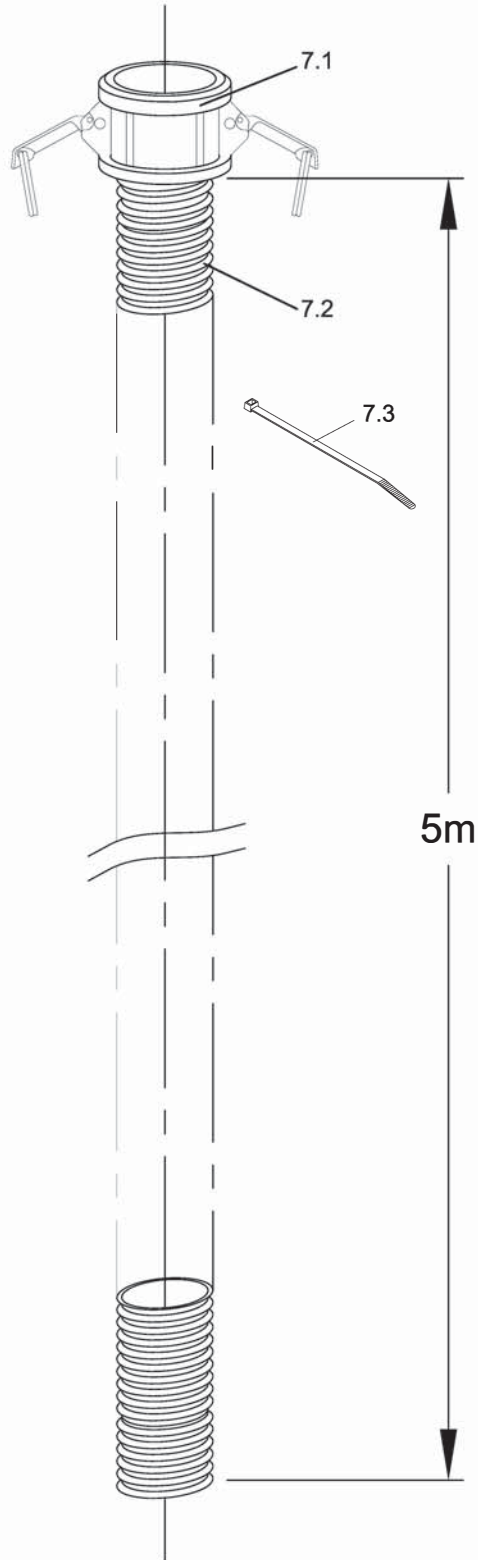
5 HOSE ASSY



PORTAPUMP
MODEL PP32
(HONDA GX35 4-STROKE PETROL)

Part No.
F03600

7
EXTENSION HOSE ASSY



SERVICE SHEET F03635 ISSUE 300709		PORTA-PUMP MODEL PP32	PART NO. F03600
ITEM NO.	PART NO.	DESCRIPTION	QUANTITY
1	F03318	Motor, Honda GX35	1
2	F03642	Drive Shaft & Throttle Assy, PortaPump	1
3	F03643	Coupling Assembly	1
3.1	F05876	Screw - Socket Head Cap 1/4" BSW.	2
3.2	F02986	Screw - Button Head Cap 1/4" BSW.	1
3.3	F03638	Coupling Housing	1
3.4	F01515	Bearing	2
3.5	F03281	Spacer	1
3.6	F03359	Seal Sleeve	1
3.7	F03639	Motor Adaptor	1
4	F03634	Pump Head & Shaft Assy	1
A	F03645	Flexshaft, PortaPump	1
4.1	F03603	Casing Assy, PortaPump	1
4.1.1	F03604	Ferrule Assy, PortaPump	2
4.1.2	F04036	Outer Spring, 30mm x 318mm	1
4.1.3	F02695	Flex-hose	1
4.2	F03602	Core, 8mm Dia. X 880mm	1
4.3	F03605	Pump Head Assy, PortaPump	1
4.3.1	F03616	Seal, Dual Lip, 13 X 20 X 5, NAK	1
4.3.2	F03622	Pan HD Screw, M3.5 X 20, 304 Stainless	5
4.3.3	F03606	Manifold FLE146-401	1
4.3.4	F03608	Gasket FLE146-403	1
4.3.5	F03601	Drive Shaft, PortaPump	1
4.3.6	F03615	Ball Bearing, 15 X 28, Sealed	2
4.3.7	F03618	Circlip, External, Dia.14mm, D1400-0410	1
4.3.8	F03614	Gasket, FLE146-408	1
4.3.9	F03611	Wear Plate FLE146-405	1
4.3.10	F03617	Seal, Dual Lip, 15 X 24 X 5	2
4.3.11	F03646	Retaining Plate, PortaPump	1
4.3.12	F03623	CSK Head Screw PH M4 x 25, 304 SS	3
4.3.13	F03648	Impeller, Machined, Cast Aluminium	1
4.3.14	F03624	CSK HD Screw, PT4 x 12, 304 Stainless	3
4.3.15	F03612	Strainer Plate FLE146-406	1
4.3.16	F03607	Volute FLE146-402	2

SERVICE SHEET F03635 ISSUE 300709		PORTA-PUMP MODEL PP32	PART NO. F03600
ITEM NO.	PART NO.	DESCRIPTION	QUANTITY
5	F03628	Hose Assy, 2000mm Long, PortaPump	1
5.1	F03627	Hose, Discharge, Pump (Magflex)	2m
5.2	F03630	Hose Tail, 1.25" BSP Male x 1.25" Male	1
5.3	F03626	Camlock Coupling, 1-1/4" Plastic, Male	1
6	F03649	Hose Clamp Assy, PortaPump	1
6.1	F03613	Hose Clamp, FLE146-407	1
6.2	F03632	Hex Nut, M5, 304 Stainless Steel	1
6.3	F03620	Socket Head Cap Screw, M5 x 30, 316SS	1
6.4	F03621	Plain Washer, M5, 304 Stainless Steel	1
7	F03637	Extension Hose Assy, 5m x 32mm	1
7.1	F03625	Camlock Coupling, 1-1/4" Plastic, Female	1
7.2	F03647	Hose, Discharge, Pump, Marineflex	5m
7.3	F03355	Cable Tie, Ect 380-7.6Bk	1
9	F03355	Cable Tie,	2
	F03629	Bk Carton, PortaPump	1

SERVICE SHEET F03635 ISSUE 300709		PORTA-PUMP MODEL PP32	PART NO. F03600
ITEM NO.	PART NO.	DESCRIPTION	QUANTITY

Complete Assemblies:

2	F03642	Drive Shaft & Throttle Assy, PortaPump
3	F03643	Coupling Assembly
A	F03645	Flexshaft, PortaPump
4	F03634	Pump Head & Shaft Assy
4.3	F03605	Pump Head Assy, PortaPump
5	F03628	Hose Assy, 2000mm Long, PortaPump
6	F03649	Hose Clamp Assy, PortaPump
7	F03637	Extension Hose Assy, 5m x 32mm

Spare Parts:

0.1	F03633	Label, PortaPump (Starter Recoil GX35)
0.2	F01433	Label, Use Unleaded Petrol Only
0.3	F03464	Decal, Safety (PortaVibe/PortaScreed)
1	F03318	Motor, Honda GX35
3.1	F05876	Screw - Socket Head Cap 1/4" BSW.
3.2	F02986	Screw - Button Head Cap 1/4" BSW.
3.3	F03638	Coupling Housing
3.4	F01515	Bearing
3.5	F03281	Spacer
3.6	F03359	Seal Sleeve
3.7	F03639	Motor Adaptor
4.3.1	F03616	Seal, Dual Lip, 13 X 20 X 5, NAK
4.3.2	F03622	Pan HD Screw, M3.5 X 20, 304 Stainless
4.3.3	F03606	Manifold FLE146-401
4.3.4	F03608	Gasket FLE146-403
4.3.5	F03601	Drive Shaft, PortaPump
4.3.6	F03615	Ball Bearing, 15 X 28 Sealed
4.3.7	F03618	Circlip, External, Dia.14mm, D1400-0410
4.3.8	F03614	Gasket FLE146-408
4.3.9	F03611	Wear Plate FLE146-405
4.3.10	F03617	Seal, Dual Lip, 15 X 24 X 5
4.3.11	F03646	Retaining Plate, PortaPump
4.3.12	F03623	CSK Head Screw PH M4 x 25, 304 SS
4.3.13	F03648	Impeller, Machined, Cast Aluminium
4.3.14	F03624	CSK HD Screw, PT4 x 12, 304 Stainless
4.3.15	F03612	Strainer Plate FLE146-406
4.3.16	F03607	Volute FLE146-402

SERVICE SHEET F03635 ISSUE 300709		PORTA-PUMP MODEL PP32	PART NO. F03600
ITEM NO.	PART NO.	DESCRIPTION	QUANTITY

5.1	F03627	Hose, Discharge, Pump (Magflex)	
5.2	F03630	Hose Tail, 1.25" BSP Male x 1.25" Male	
5.3	F03626	Camlock Coupling, 1-1/4" Plastic, Male	
6.1	F03613	Hose Clamp, FLE146-407	
6.2	F03632	Hex Nut, M5, 304 Stainless Steel	
6.3	F03620	Socket Head Cap Screw, M5 x 30, 316SS	
6.4	F03621	Plain Washer, M5, 304 Stainless Steel	
7.1	F03625	Camlock Coupling, 1-1/4" Plastic, Female	
7.2	F03647	Hose, Discharge, Pump, Marineflex	
7.3	F03355	Cable Tie, Ect 380-7.6Bk	
8	H1002-P08-001	Oil, 10W-30W, Honda Litre Bottle	
9	F03355	Cable Tie, Ect 380-7.6Bk	
	F03629	Carton, PortaPump	
