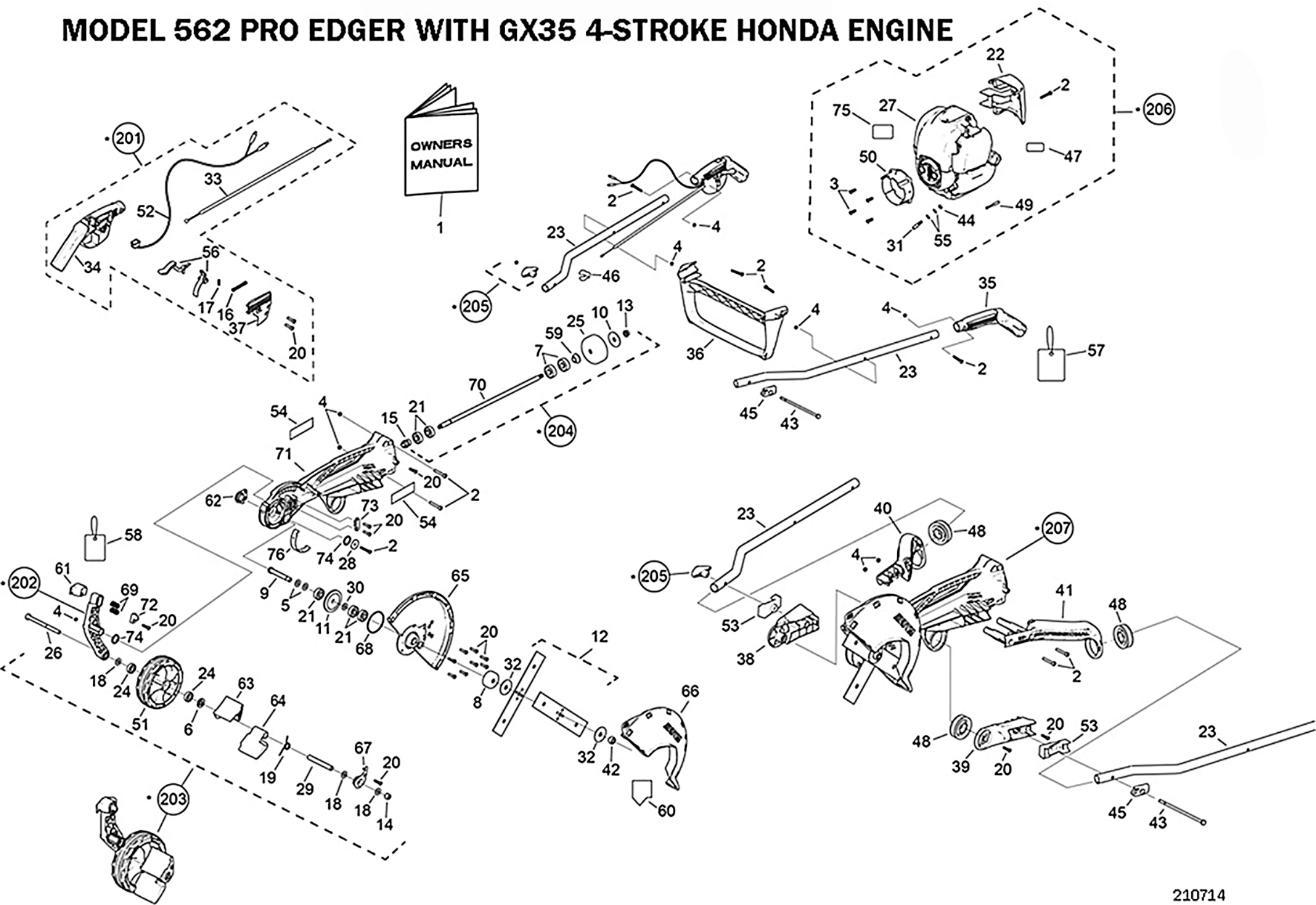


# MODEL 562 PRO EDGER WITH GX35 4-STROKE HONDA ENGINE



6/07/2022

ATOM MODEL: 562 PRO EDGER with GX35 engine

PART NO: 20562

Key	Part No	Substitute Part No	Description	Key	Part No	Substitute Part No	Description	Key	Part No	Substitute Part No	Description
1	21775		MANUAL ALL MODELS	34	63017BS		HANDLE RH WITH RUBBER	67	64985RN		EDGER PRO FLAP CASE COVER RED
2	40650		SCREW M5x36 TORX	35	63019BS		HANDLE LH WITH RUBBER	68	65164		O-RING ID 63x2.0
3	40651		SCREW M6x16 TORX	36	63020WE		HANDLE CROSS BRACE	69	65177		SPRING HEIGHT ADJ DOM/PRO V2
4	40652		NUT NYLOC M5	37	63021WP		COVER RH HANDLE GREY	70	65275		SHAFT EDGER PRO MK2
5	40836		WASHER SPACER 2.1mm	38	63028RP		AV MOUNT PRO LH	71	65279RN		EDGER PRO MAIN BODY MK2
6	42111		SEAL 27.2x12.6 WHEEL	39	63029RP		AV MOUNT PRO RH	72	65280AWN		EDGER PRO HGT ADJ PIN
7	43108		BEARING 6301-2RS 37x12x12	40	63031RP		AV SUPPORT PRO RH HANDLE	73	65281WN		EDGER PRO BEARING LOCATOR
8	43112		DRUM BLADE	41	63030RP		AV SUPPORT PRO LH HANDLE	74	65282		O-RING 22 x 3mm
9	43114	65351A	BLADE SHAFT ASSY MK3	42	63033		NUT RECESSED RH M12 x 1.75	75	65291		LABEL EDG MODEL 562 GX35 MK2
10	43116		PRO DRUM WASH 45x12.2x2	43	63049		BOLT HEX 6.5 x 1/4 BSW	76	65294		SKID PLATE EDGER PRO MK2
11	43122		GEAR CROWN PRO	44	63169		NUT M6 x 1	201	63433AH		ASSY RH HDL GX35
12	43105		BLADE SET 10.2/3-271mm	45	63187BN		CAPTIVE PLATE 1/4 HEX PIECE	202	65135ARN		ASSY ARM WITH NUT
13	43163		NUT FLANGE 3/8 UNC	46	63217BN		CLIP - HANDLE CABLE & WIRE	203	65136ARN		ASSY WHEEL + ARM
14	43172		NUT NYLOC 3/8 UNC	47	63219		LABEL HOT MOTOR/OIL CLEAN	204	65302A		ASSY SHAFT PRO MK2
15	43176		GEAR PINION 25.5mm LENGTH	48	63220BS		AV RUBBER ROUND	205	63488A		ASSY HANDLE KNOB+NUT
16	43198		SPRING TRIGGER COMPRESS	49	63355		GROUND WIRE	206	48002A		ASSY GX35 ENGINE HONDA
17	43199		SPRING SMALL INTERLOCK	50	63361RN		MOUNT ENGINE PRO	207	65305ARN		ASSY PRO RED V2 ST2
18	43218		WASHER 3/8 FLAT	51	63363BS		WHEEL WITH RUBBER PRO				
19	43719		SPRING DEFLECTOR DEBRIS	52	63400		ROCKER SWITCH WITH WIRE				
20	43790		SCREW M5.5 x 22	53	63401BS		AV SADDLE RUBBER				
21	43860		BEARING 32x10x12 + 4mm	54	63408		LABEL ATOM PRO EDGER				
22	43965RN		GX35 AIR DEFLECTOR	55	63457		WASHER 6.4x12.5x1.5				
23	44060		HANDLE TUBE	56	63883S		SET TRIGGER & INTERLOCK				
24	44305		BEARING WH 28x8x12.8mm	57	63953		TAG-MADE IN AUSTRALIA				
25	44312		DRUM CUP PRO 79x32mm	58	63977		LABEL-TAG ADJ HEIGHT				
26	44439		BOLT BSW HEX 38x5	59	64119		HUB SINTERED 11.5mm				
27	48002-EU5		ENG HONDA GX35-EU5	60	64378		LABEL WARN BLADE COVER				
28	62795		WASH 28.5x1.6x1/4 PRO	61	64960RN		EDGER PRO HGT ADJ HDL RED				
29	62934		TUBE WHEEL 94mm	62	64962RN		EDGER PRO DUST CAP RED				
30	62965		WASH THRUST 12x26x1.5	63	64963RN		EDG PRO DEBRI FLAPCASE RED				
31	62968		PRO CARBY CONN M6x1.0	64	64964RN		EDGER RED DEBRI FLAP RED				
32	62983		WASHER HARD 54x12.2x2	65	64965WN		EDGER BLADE GUARD INNER				
33	63002		CABLE THROTTLE 968mm	66	64966WN		EDGER BLADE GUARD OUTER				

For information on the Honda GX35 engine go to Ref 765 at 'Petrol Engines, Parts and Drawings'.