

Masport®

EXPORT ROTARY MOWERS

UTILITY SERIES

Part Number
472840

Model
Utility 530

Engine
B&S W14 Ser 850

Month and Year of First Manufacture - Feb 2014



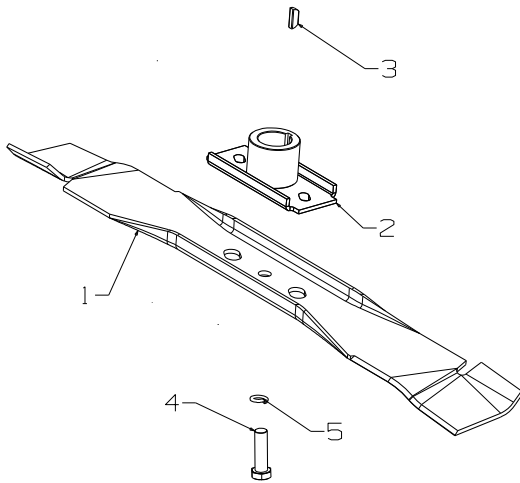


Utility 530
Powered By: B&S W14 Ser 850

Masport®

Issue A.1
ECN 02706
Feb 2014 BH
REF # 772840S

530mm Bar Blade Assembly



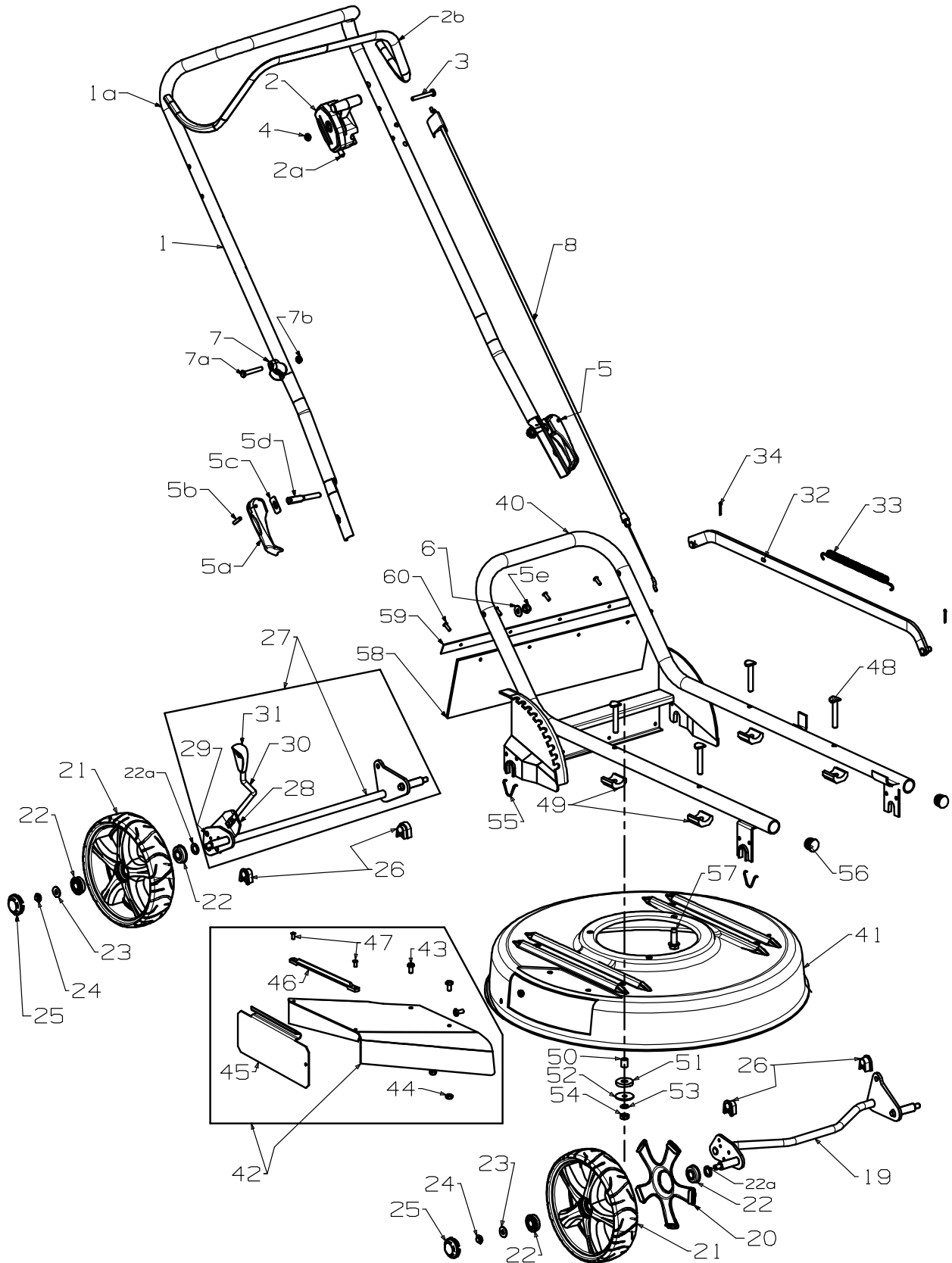
Item	Part No	Description	Qty
1	572406	Blade-Bar,533mm utility	1
2	031640	Driver Assy-Blade,25mm	1
3	503363	Key- Woodruff 5/8x3/16x1/4	1
4	581610	Screw, Set NF 3/8" x 1.25 NYG8	1
5	500204	Washer, Spring 3/8"	1



Utility 530
Powered By: B&S W14 Ser 850

Masport®

Issue A.1
ECN 02706
Feb 2014 BH
REF # 772840S



When ordering PLEASE QUOTE PART NUMBER & Description, NOT Illustration No.
Determine right or left hand side from standing in operating position (standing at handle)
Bold Text = Assemblies, **Bulleted Text** * = Items included in the Assemblies



Utility 530
Powered By: B&S W14 Ser 850



Issue A.1
ECN 02706
Feb 2014 BH
REF # 772840S

Item No	Part No	Description	Qty	Item No	Part No	Description	Qty
1/1a	772416	Handle & Sleeve- Upturned	1	NOT ILLUSTRATED			
2/2a	583460	Control- Throttle, VE L/H CH" T"	1				
2b	981740	Bail Arm Assy	1				
3	503508	*Screw, Pan M6 x 55	1				
4	501764	*Nut, M6 Hex Nyloc	1				
5	769674	Cam Lock Assembly- MSV 72mm	2				
5a	582419	*Lever- Handle Locking MSV	1				
5b	503369	*Pin, Tension 5.0 x 25	1				
5c	016777	*Washer- Slipper S/S	1				
5d	580690	*Stud- Handle Lock, 64mm	1				
5e	501793	*Nut, M8 Hex Nyloc x 8mm Thick	1	569052	O/Manual, Mow Masp	1	
6	501606	Washer, Flat 8 x 19 x 1.6	2	503054	Tie-Nylon Cable	1	
7/a/b	703856	Comfort Start Kit	1	564050	Decal, Danger Hands Clear	1	
8	583395	Cable Engine opc	1	579281	Decal, Rear Utility	1	
==				572418	Decal, Cert Label 530 Ute	1	
19	983246	Axle Assy-Front, 150mm	1	567407	Decal, Flap Caution USA	1	
20	579205	Cover- Inner Wheel Silver	2	581413	Decal, Handle Power Drive	1	
21	579203	Wheel Assy-200mm MAG Silver (Includes 2 x 551212 per Wheel)	4	583671	Decal, Nameplate UT MASPORT	1	
22	551212	Bearing-Wheel	8				
22a	503301	Washer; Flt 1/2x3/4x18G	4				
23	501606	Washer, Flt 8x19x1.6	4				
24	503831	Nut, M8 Hex Nyloc 6 Thck	4				
25	579204	Hub Cap- Button MAG Silver	4				
26	580030	Bush-Pivot, Axle	4				
==							
27	783256	Axle Assy- Rear, Complete	1				
28	580649	*Spring Leaf	1				
29	503373	*Rivet-F/HD3/16"x27/	3				
30	973681	*Rod- Height Selector (MSV Knob)	1				
31	581729	*Knob- Height Lever Adj	1				
==							
32	571033	Rod Assy-Connecting 530	1				
33	580621	Spring-Counter Balance	1				
34	501056	Pin- Cotter 2.3Dx16	2				
==							
40	972403	Frame Assy- 530	1				
41	772404	Housing Assy 21" Utility TTNM	1				
==							
42	772368	Chute Grass, 530 TTNM	1				
43	501959	*Screw, Set M6 x 12	3				
44	501764	*Nut, M6 Hex Nyloc	3				
45	972280	*Flap- Chute, TTNM	1				
46	972282	*Pin- Flap, Hinge	1				
47	503318	*Rivet-Pop 4.8x 7.9	2				
48	574218	Bolt, SPH M8x53x35	4				
49	572204	Pad-Vibration, Top	4				
50	572201	Spacer-Vibration Pad	4				
51	572206	Pad-Vibration, Bottom	4				
52	572199	Washer, Flat 8 x 32 x 2	4				
53	503747	Washer, Spg 8	4				
54	501602	Nut, M8	4				
55	572208	Retainer-Axle	4				
56	572270	Plug-25.4mm	2				
57	580453	Screw, S/T 3/ 8" x 1 1/8"	3				
58	572410	Guard Rubber-Flap Rear	1				
59	569349	Guard Plate Flap Rear	1				
60	503200	Rivet-Pop 4.8x13 73	4				

When ordering PLEASE QUOTE PART NUMBER & Description, NOT Illustration No.
Determine right or left hand side from standing in operating position (standing at handle)
Bold Text = Assemblies, Bulleted Text * = Items included in the Assemblies